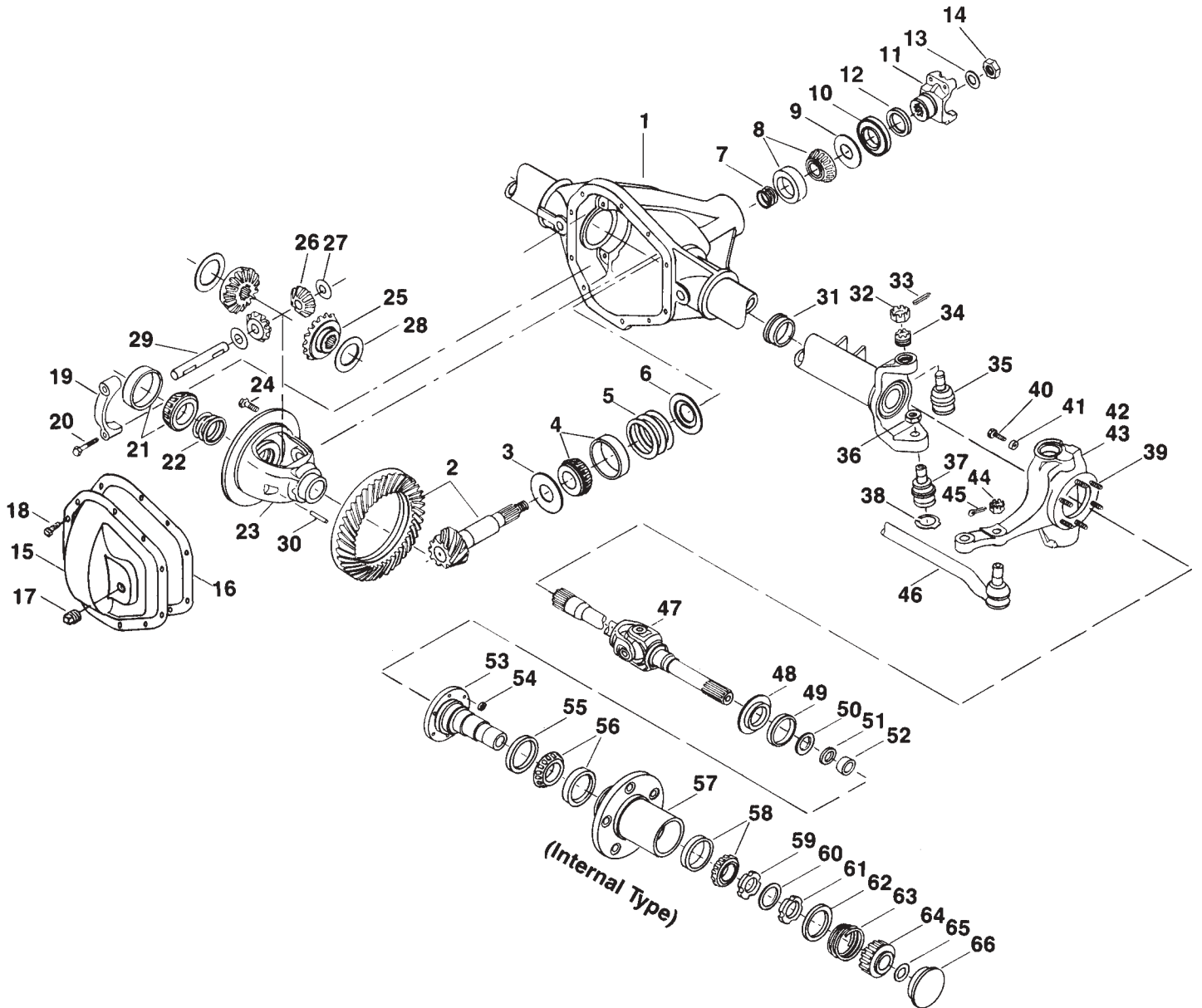


GM / Chevrolet 1978-1980

Model 44 /216 Front Axles for

Blazer, K-10 and K-20

GM Model 44 /216 Front Axles Exploded View



GM Model 44 /216 Front Axles Parts Listing



ITEM NO.	PART NUMBER	DESCRIPTION	ITEM NO.	PART NUMBER	DESCRIPTION
1	— ⁽³⁾	Housing – Axle Service		— ⁽²⁾	KIT – Left Knuckle Assembly (inc 32,33,34,35,36,37,38,39,43)
2	— ⁽¹⁾	Drive Pinion & Gear Assembly			
3	30764 ⁽⁵⁾	Slinger – Inner Pinion Bearing		706116X	KIT – Socket Assembly
4	706031X	KIT – Inner Pinion Bearing	32	44101	Nut – Hex Slotted
	706376X	PKG – Diff & Pinion Bearing Shim (inc items 5, 7, 13, 16, 22)	33	500024-6	Cotter Pin
			34	35417	Adjusting Split Ring
	706358X	PKG – Pinion Bearing Shim (inc items 5, 7, 13, 16)	35	40112	Socket Assembly – Upper
			36	35566	Lock Nut
5	—	Inner Pinion Adj Shims (see shim packages)	37	40113	Socket Assembly – Lower
			38	35928	Snap Ring
6	30765 ⁽⁵⁾	Baffle – Pinion Bearing	39	— ⁽²⁾	Bolt – Hex (qty 6)
7	—	Outer Pinion Bearing Shims (see shim packages)	40	31026-1	Stop Screw
			41	500381-3	Jam Nut
8	706030X	KIT – Outer Pinion Bearing	42	620260	Right Knuckle
9	13575	Slinger – Outer Pinion Bearing	43	620261	Left Knuckle
10	39118	Seal – Pinion Oil	44	— ⁽³⁾	Nut – Hex Slotted
11	2-4-5331X	End Yoke Assembly (inc 12)	45	— ⁽³⁾	Cotter Pin
12	15099	Slinger – End Yoke	46	— ⁽³⁾	Tie Rod Assembly
13	30186	Washer – Pinion Nut	47	— ⁽¹⁾	Shaft & Joint Assembly
14	30185	Pinion Nut	48	36364	Slinger – Spindle Yoke
	706112X	KIT – Carrier Cover (15, 16, 17, 18)		706527X	KIT – Spindle Seal & Bearing
15	39015	Carrier Cover		706570X	KIT – Spindle (inc 49, 50, 51, 52, 53)
16	34685	Gasket – Carrier Cover	49	38128	Oil Seal
17	36472	Plug – Carrier Cover	50	36361	Oil Seal (block vee)
18	34279	Bolt – Carrier Cover	51	38106	Spacer – Wheel Bearing Spindle
19	— ⁽³⁾	Differential Bearing Cap	52	550759	Needle Bearing Assembly
20	48632-1	Bolt – Differential Bearing Cap	53	38428	Spindle – Wheel Bearing
21	706032X	KIT – Differential Bearing	54	— ⁽³⁾	Nut – Brake Mounting
22	706086X	PKG – Diff Bearing Shim (inc 16)	55	36366	Oil Seal
23	— ⁽⁴⁾	Case – Differential (std)	56	706074X	KIT – Inner Wheel Bearing
24	41221	Bolt – Drive Gear (qty 10)	57	— ⁽³⁾	Wheel Hub
25	40194	Gear – Differential (std)	58	706111X	KIT – Outer Wheel Bearing
26	17717	Pinion – Differential (std)	59	21588X	Nut & Pin Assembly – Inner Lock
27	13338-3	Thrustwasher – Diff Pinion (std)	60	36569	Lock Nut
28	32121	Thrustwasher – Diff Gear (std)	61	31139	Nut – Wheel Bearing Adjusting
29	39194	Shaft – Differential (std)	62	32589	Plate – Spring Retaining
30	13449	Lock – Differential Shaft	63	35218	Spring – Pressure
31	620216	Seal & Guide Tube	64	42667	Gear – Axle Drive
	— ⁽²⁾	KIT – Right Knuckle Assembly (inc 32,33,34,35,36,37,38,39,42)	65	31624	Snap Ring
			66	44328	Hub Cap

- (1) See "Bill of Material Table" on next page
- (2) See "Variable Parts Table" below
- (3) Contact Vehicle Manufacturer
- (4) Not Sold Separately
- (5) Inner Slinger & Pinion Baffle may be included in Ring & Pinion Kit. Use only if axle being rebuilt has them also.

Variable Parts Listing

Kits & Parts - Use With All Applications					
Description & Item Number (Refer to "Exploded View" on the previous page)			Bills of Material		
			610054 610055 610056	610079 610080 610081	
1	KIT – Right Knuckle Assembly	-	700076	700141	
2	KIT – Left Knuckle Assembly	-	700077	700142	
3	Bolt – Hex (qty 6)	39	36326-4	36326-2	

GM Model 44 /216 Front Axles

Bill of Material Table

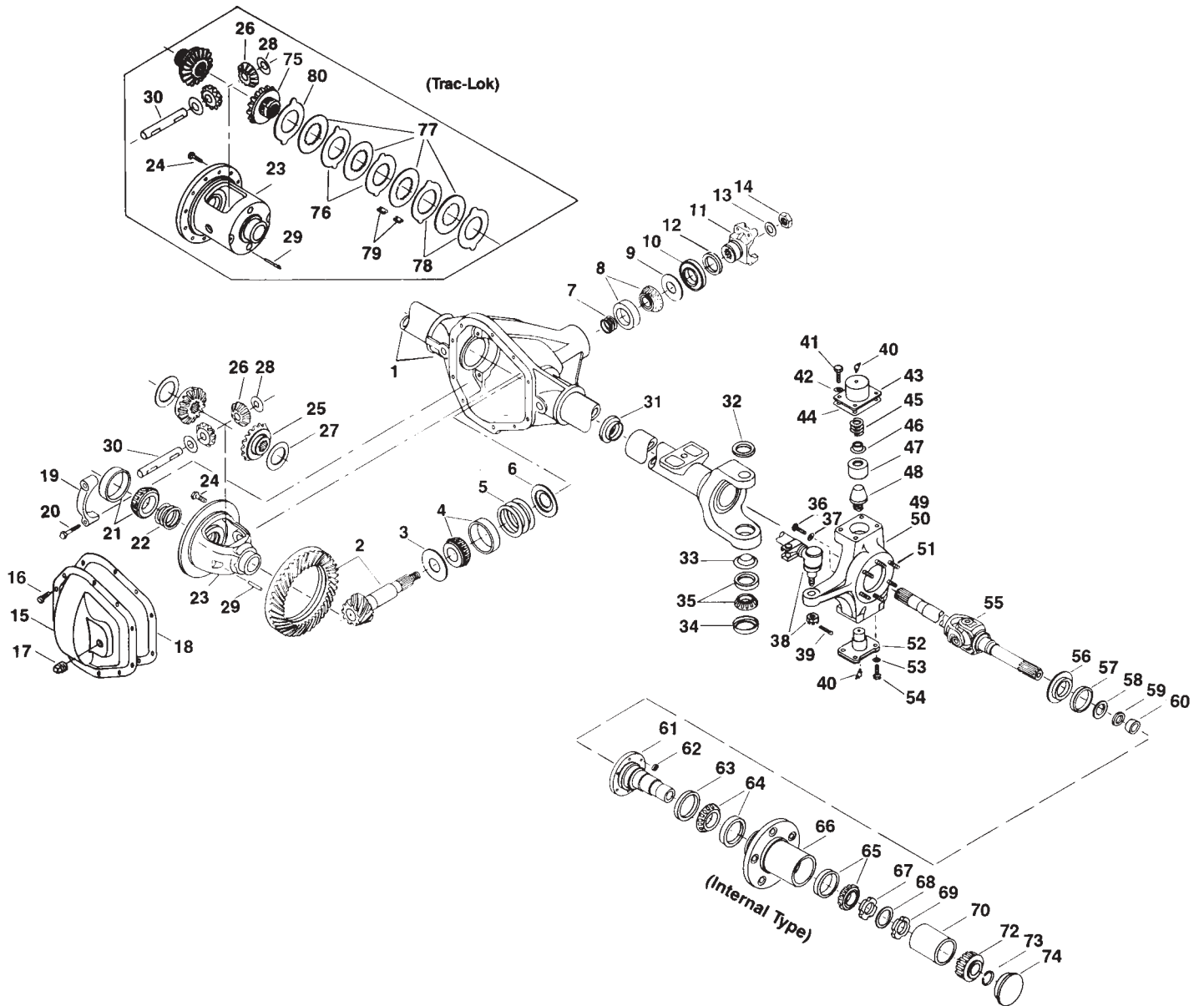
Axle			Axle Kits				Shaft & Joint Assy.	
Bill of Material	Diff. Type	Ratio	Ring Gear & Pinion Kit ⁽⁷⁾	Differential			Right Hand Shaft Assy.	Left Hand Shaft Assy.
				Case Assy. Kit ⁽⁸⁾	Case Kit	Inner Parts Kit		
1978-79 K-20								
610055-1	Standard	3.73	706017-4X	706020X	706024X	706027X	29833-1X	29833-2X
610055-2	Standard	3.73	706017-4X	706020X	706024X	706027X	29833-1X	29833-2X
610055-3	Standard	4.09	706017-5X	706021X	706025X	706027X	29833-1X	29833-2X
610055-4	Standard	4.09	706017-5X	706021X	706025X	706027X	29833-1X	29833-2X
1979 Blazer & K-10								
610054-1	Standard	2.72	706017-19X	706020X	706024X	706027X	29833-1X	29833-2X
610054-2	Standard	2.72	706017-19X	706020X	706024X	706027X	29833-1X	29833-2X
610054-3	Standard	3.07	706017-1X	706020X	706024X	706027X	29833-1X	29833-2X
610054-4	Standard	3.07	706017-1X	706020X	706024X	706027X	29833-1X	29833-2X
610054-5	Standard	3.42	700025-3	706020X	706024X	706027X	29833-1X	29833-2X
610054-6	Standard	3.42	700025-3	706020X	706024X	706027X	29833-1X	29833-2X
610054-7	Standard	3.73	706017-4X	706020X	706024X	706027X	29833-1X	29833-2X
610054-8	Standard	3.73	706017-4X	706020X	706024X	706027X	29833-1X	29833-2X
610054-9	Standard	4.09	706017-5X	706021X	706025X	706027X	29833-1X	29833-2X
610054-10	Standard	4.09	706017-5X	706021X	706025X	706027X	29833-1X	29833-2X
1979 K-20								
610056-1	Standard	3.73	706017-4X	706020X	706024X	706027X	29833-1X	29833-2X
610056-2	Standard	3.73	706017-4X	706020X	706024X	706027X	29833-1X	29833-2X
610056-3	Standard	4.09	706017-5X	706021X	706025X	706027X	29833-1X	29833-2X
610056-4	Standard	4.09	706017-5X	706021X	706025X	706027X	29833-1X	29833-2X
1979-80 K-20								
610080-1	Standard	3.73	706017-4X	706020X	706024X	706027X	29833-1X	29833-2X
610080-2	Standard	3.73	706017-4X	706020X	706024X	706027X	29833-1X	29833-2X
610080-3	Standard	4.09	706017-5X	706021X	706025X	706027X	29833-1X	29833-2X
610080-4	Standard	4.09	706017-5X	706021X	706025X	706027X	29833-1X	29833-2X
610080-5	Standard	3.23	706017-16X	706020X	706024X	706027X	29833-1X	29833-2X
610080-6	Standard	3.42	700025-3	706020X	706024X	706027X	29833-1X	29833-2X
610081-1	Standard	3.73	706017-4X	706020X	706024X	706027X	29833-1X	29833-2X
610081-2	Standard	3.73	706017-4X	706020X	706024X	706027X	29833-1X	29833-2X
610081-3	Standard	4.09	706017-5X	706021X	706025X	706027X	29833-1X	29833-2X
610081-4	Standard	4.09	706017-5X	706021X	706025X	706027X	29833-1X	29833-2X
610081-5	Standard	3.23	706017-16X	706020X	706024X	706027X	29833-1X	29833-2X
610081-6	Standard	3.42	700025-3	706020X	706024X	706027X	29833-1X	29833-2X
610081-7	Standard	4.55	706017-6X	706021X	706025X	706027X	29833-1X	29833-2X
1980 K-20								
610079-1	Standard	2.72	706017-19X	706020X	706024X	706027X	29833-1X	29833-2X
610079-2	Standard	2.72	706017-19X	706020X	706024X	706027X	29833-1X	29833-2X
610079-3	Standard	3.07	706017-1X	706020X	706024X	706027X	29833-1X	29833-2X
610079-4	Standard	3.07	706017-1X	706020X	706024X	706027X	29833-1X	29833-2X
610079-5	Standard	3.42	700025-3	706020X	706024X	706027X	29833-1X	29833-2X
610079-6	Standard	3.42	700025-3	706020X	706024X	706027X	29833-1X	29833-2X
610079-7	Standard	3.73	706017-4X	706020X	706024X	706027X	29833-1X	29833-2X
610079-8	Standard	3.73	706017-4X	706020X	706024X	706027X	29833-1X	29833-2X
610079-9	Standard	4.09	706017-5X	706021X	706025X	706027X	29833-1X	29833-2X
610079-10	Standard	4.09	706017-5X	706021X	706025X	706027X	29833-1X	29833-2X

(7) See Ring Gear & Pinion Kits in XGI Catalog for ratio & tooth combinations.

(8) See Differential Case Assy Kits in XGI Catalog for spline data & ratios.

GM / Chevrolet 1979-1991 1/2
Model 60 /248 Front Axles for
CUCV, K-30 and V-30

GM Model 60 /248 Front Axles Exploded View



GM Model 60 /248 Front Axles

Parts Listing

ITEM NO.	PART NUMBER	DESCRIPTION	ITEM NO.	PART NUMBER	DESCRIPTION
1	— ⁽³⁾	Housing – Axle Service	41	30875	Nut – Hex Tapered
2	— ⁽¹⁾	Drive Pinion & Gear Assembly	42	—	Lockwasher (King Pin Cap – Upper)
3	34643 ⁽⁵⁾	Slinger – Inner Pinion Bearing	43	38139	Steering Arm (LH only)
4	706046X	KIT – Inner Pinion Bearing		620132	King Pin Cap – Upper (RH only)
5	—	Inner Pinion Bearing Shims (see shim packages)	44	37307	Gasket – King Pin Cap
	706375X	PKG – Diff & Pinion Bearing Shim (inc items 4, 6, 13, 18, 22)	45	37300	Spring – Pressure
6	30982 ⁽⁵⁾	Baffle – Pinion Bearing	46	620180	Spring Retainer
	706359X	PKG – Pinion Bearing Shim (inc items 4, 6, 13, 18)	47	41886	Bushing – King Pin
			48	37302	King Pin
7	—	Outer Pinion Bearing Shims (see shim packages)		72837X	KIT – Right Knuckle Assy (49, 51)
				72838X	KIT – Left Knuckle Assy (50, 51)
8	706045X	KIT – Outer Pinion Bearing	49	41893	Right Knuckle
9	42737	Thrustwasher – Bearing	50	41894	Left Knuckle
10	42449	Seal – Pinion Oil	51	37879	Bolt – Hex
11	2-4-3801-1X	End Yoke Assembly (inc 12) Bearing strap kit used w/end yoke	52	37299	King Pin Bearing Cap – Lower
			53	500357-13	Lockwasher (King Pin Cap – Lower)
12	34592	Slinger – End Yoke	54	500412-13	Bolt – Hex (King Pin Cap – Lower)
13	30275	Washer – Pinion Nut	55	— ⁽¹⁾	Shaft & Joint Assembly
14	30271	Pinion Nut	56	37308	Slinger – Spindle Yoke
	— ⁽²⁾	KIT – Carrier Cover (inc items 15, 16, 17)		700014	KIT – Spindle Seal & Bearing (inc items 57, 58, 59, 60)
15	— ⁽²⁾	Carrier Cover		— ⁽²⁾	KIT – Spindle (inc items 57, 58, 59, 60, 61)
16	34822	Bolt – Carrier Cover (qty 10)	57	37311	Oil Seal
17	— ⁽²⁾	Plug – Carrier Cover	58	37312	Spacer – Wheel Bearing Spindle
18	34687	Gasket – Carrier Cover	59	620062	Oil Seal (Block-Vee)
19	—	Differential Bearing Cap	60	620063	Needle Bearing Assembly
20	48632-1	Bolt – Differential Bearing Cap	61	— ⁽²⁾	Spindle – Wheel Bearing
21	706047X	KIT – Differential Bearing	62	36880	Nut – Brake Mounting
22	706378X	PKG – Diff Differential Shim (inc 18)	63	48816	Oil Seal
23	— ⁽⁴⁾	Case – Differential	64	706411X	KIT – Inner Wheel Bearing
24	30266	Bolt – Drive Gear (qty 12)	65	706074X	KIT – Outer Wheel Bearing
25	35625	Gear – Differential (std)	66	— ⁽³⁾	Wheel Hub
26	34367	Pinion – Differential	67	— ⁽²⁾	Nut & Pin Assembly
27	34729	Thrustwasher – Diff Gear (std)	68	— ⁽²⁾	Lockwasher – Wheel Bearing Nut
28	34730	Thrustwasher – Diff Pinion (std)	69	— ⁽²⁾	Spindle Nut
29	44810	Lock – Differential Shaft	70	— ⁽²⁾	Spacer
30	30263	Shaft – Differential	71	— ⁽²⁾	Gear – Axle Drive
31	36487	Seal & Guide Tube	72	37730	Snap Ring
	706395X	KIT – King Pin Parts (inc items 32, 33, 34, 35)	73	— ⁽²⁾	Hub Cap
32	620058	King Pin Seal – Upper	N.I.	—	Key – Square
33	37305	Grease Retainer		— ⁽³⁾	Hub Lock Assembly
34	706150X	KIT – King Pin Bearing – Lower	75	35830	Gear – Differential (t/l)
35	41777	Oil Seal		707083X	KIT – Differential Plate & Disc (t/l) (inc items 76, 77, 78, 79, 80)
36	31026-1	Stop Screw	76	— ⁽⁴⁾	Plate – Differential Pressure
37	500381-3	Jam Nut	77	— ⁽⁴⁾	Disc – Differential
38	— ⁽³⁾	Tie Rod Assembly	78	— ⁽⁴⁾	Plate – Differential
39	— ⁽³⁾	Cotter Pin	79	40835	Clip – Differential Clutch
40	500175-1	Lube Fitting	80	— ⁽⁴⁾	Spacer – Plate Preload

(1) See "Bill of Material Table" on next page

(2) See "Variable Parts Table" within this section

(3) Contact Vehicle Manufacturer

(4) Not Sold Separately

(5) Inner Slinger & Pinion Baffle may be included in Ring & Pinion Kit. Use only if axle being rebuilt has them also.

GM Model 60 /248 Front Axles

Bill of Material Table

Axle			Axle Kits				Shaft & Joint Assy.	
Bill of Material	Diff. Type	Ratio	Ring Gear & Pinion Kit ⁽⁷⁾	Differential			Right Hand Shaft Assy.	Left Hand Shaft Assy.
				Case Assy. Kit ⁽⁸⁾	Case Kit	Inner Parts Kit		
1979-80 K-30								
610057-1	Standard	4.10	706033-3X	706180X	706040X	706702X	907967-5	907967-6
610057-2	Standard	4.10	706033-3X	706180X	706040X	706702X	907967-5	907967-6
610057-3	Standard	4.56	706033-4X	706182X	706041X	706702X	907967-5	907967-6
610057-4	Standard	4.56	706033-4X	706182X	706041X	706702X	907967-5	907967-6
610057-5	Standard	4.10	706033-3X	706180X	706040X	706702X	907967-5	907967-6
610057-7	Standard	4.56	706033-4X	706182X	706041X	706702X	907967-5	907967-6
610057-8	Standard	4.10	706033-3X	706180X	706040X	706702X	907967-5	907967-6
1981 K-30								
610132-1	Standard	4.10	706033-3X	706180X	706040X	706702X	907967-5	907967-6
610132-2	Standard	4.56	706033-4X	706182X	706041X	706702X	907967-5	907967-6
610132-3	Standard	4.10	706033-3X	706180X	706040X	706702X	907967-5	907967-6
610132-4	Standard	4.56	706033-4X	706182X	706041X	706702X	907967-5	907967-6
610132-5	Standard	3.73	706033-2X	706180X	706040X	706702X	907967-5	907967-6
610132-6	Standard	3.73	706033-2X	706180X	706040X	706702X	907967-5	907967-6
1982-87 K-30								
610159-1	Standard	4.10	706033-3X	706180X	706040X	706702X	907967-5	907967-6
610159-2	Standard	4.56	706033-4X	706182X	706041X	706702X	907967-5	907967-6
610159-3	Standard	4.10	706033-3X	706180X	706040X	706702X	907967-5	907967-6
610159-4	Standard	4.56	706033-4X	706182X	706041X	706702X	907967-5	907967-6
610159-5	Standard	3.73	706033-2X	706180X	706040X	706702X	907967-5	907967-6
610159-6	Standard	3.73	706033-2X	706180X	706040X	706702X	907967-5	907967-6
1984-85 K-30								
610202-1	Standard	3.73	706033-2X	706180X	706040X	706702X	907967-5	907967-6
610202-2	Standard	3.73	706033-2X	706180X	706040X	706702X	907967-5	907967-6
610202-3	Standard	4.10	706033-3X	706180X	706040X	706702X	907967-5	907967-6
610202-4	Standard	4.10	706033-3X	706180X	706040X	706702X	907967-5	907967-6
610202-5	Standard	4.56	706033-4X	706182X	706041X	706702X	907967-5	907967-6
610202-6	Standard	4.56	706033-4X	706182X	706041X	706702X	907967-5	907967-6
1984-88 CUCV								
610201-1	Standard	4.56	706033-4X	706182X	706041X	706702X	907967-5	907967-6
610201-2	Trac Lok	4.56	706033-4X	707097-4X	706039X	707086X	907967-5	907967-6
1988-91 1/2 V-30								
610295-1	Standard	4.10	706033-3X	706180X	706040X	706702X	907967-5	907967-6
610295-2	Standard	4.56	706033-4X	706182X	706041X	706702X	907967-5	907967-6
610295-3	Standard	4.10	706033-3X	706180X	706040X	706702X	907967-5	907967-6
610295-4	Standard	4.56	706033-4X	706182X	706041X	706702X	907967-5	907967-6
610295-5	Standard	3.73	706033-2X	706180X	706040X	706702X	907967-5	907967-6
610295-6	Standard	3.73	706033-2X	706180X	706040X	706702X	907967-5	907967-6

(7) See Ring Gear & Pinion Kits in XGI Catalog for ratio & tooth combinations.

(8) See Differential Case Assy Kits in XGI Catalog for spline data & ratios.

GM Model 60 /248 Front Axles Variable Parts Listing

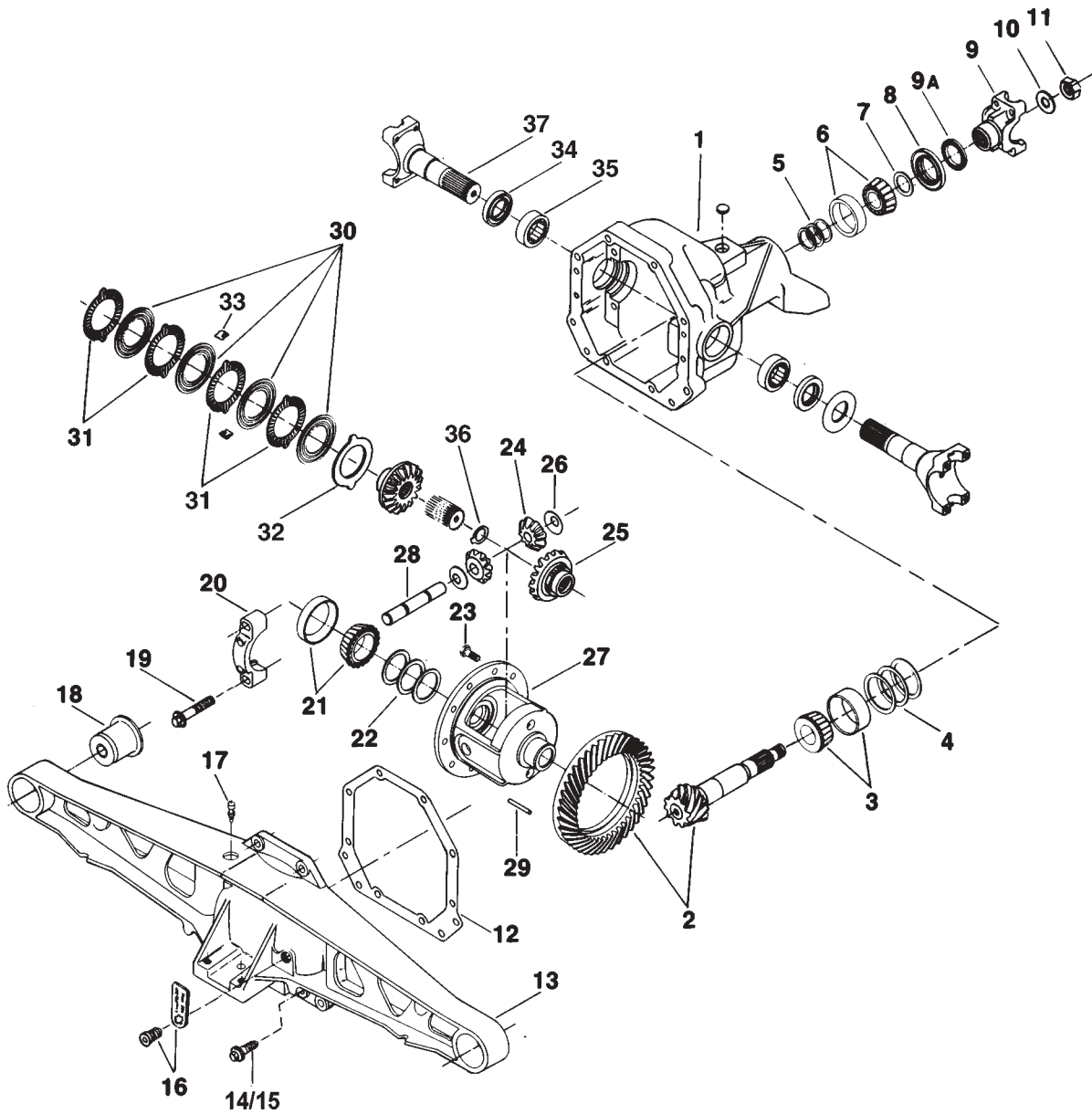
Kits & Parts - Use With All Applications							
Description & Item Number (Refer to "Exploded View" at the front of this section)			Bills of Material				
			610057	610132	610159	610201	610202
1	KIT – Carrier Cover	-	706128X	707233X	707233X	706968X	707233X
2	Carrier Cover	15	34675	43600-1	43600-1	43797	43600-1
3	Plug – Carrier Cover	17	36472	43180	43180	43180	43180
4	KIT – Spindle	-	700013	700013	700013	706979X	706979X
5	Spindle – Wheel Bearing	61	620061	620061	620061	40950	40950
6	Nut & Pin Assembly	67	—	—	660568	660568	—
7	Lockwasher – Wheel Bearing Nut	68	33733	33733	621028	621028	—
8	Spindle Nut	69	33732	33732	621027	621027	40951
9	Spacer	70	37997	37997	—	—	—
10	Gear – Axle Drive	71	37994	37994	—	—	—
11	Hub Cap	73	37996	—	—	—	—
			610295				
1	KIT – Carrier Cover	-	707233X				
2	Carrier Cover	15	43600-1				
3	Plug – Carrier Cover	17	43180				
4	KIT – Spindle	-	700013				
5	Spindle – Wheel Bearing	61	620061				
6	Nut & Pin Assembly	67	660568				
7	Lockwasher – Wheel Bearing Nut	68	621028				
8	Spindle Nut	69	621027				
9	Spacer	70	—				
10	Gear – Axle Drive	71	—				
11	Hub Cap	73	—				

GM /Chevrolet 1984-1996 1/2

Model 36 /200 ICA Rear Axles for

Corvette

GM Model 36 /200 ICA Rear Axles Exploded View



GM Model 36 /200 ICA Rear Axles Parts Listing

ITEM NO.	PART NUMBER	DESCRIPTION	ITEM NO.	PART NUMBER	DESCRIPTION
1	— ⁽³⁾	Housing – Axle Service	21	706016X	KIT – Differential Bearing
2	— ⁽¹⁾	Drive Pinion & Gear Assembly	22	706878X	PKG – Diff Bearing Shim (inc 12, 36)
3	706015X	KIT – Inner Pinion Bearing	23	41221	Bolt – Drive Gear (qty 10)
4	74438X	PKG – Inner Pinion Bearing Shim	24	— ⁽²⁾	Pinion – Differential
5	73173X	PKG – Outer Pinion Bearing Shim	25	— ⁽²⁾	Gear – Differential
6	706014X	KIT – Outer Pinion Bearing	26	40266	Thrustwasher – Diff Pinion
7	41012	Slinger – Outer Pinion Bearing	27	— ⁽³⁾	Case – Differential
8	41455	Seal – Pinion Oil	28	— ⁽²⁾	Shaft – Differential
9	2-4-6641-1	End Yoke	29	13449	Lock – Differential Shaft
9A	42502	Slinger – End Yoke		707386X	KIT – Differential Plate & Disc
10	30186	Washer – Pinion Nut			(inc items 12, 29, 30, 31, 32, 33, 36)
11	30185	Pinion Nut	30	— ⁽⁴⁾	Disc – Differential
12	38615	RTV Silicone Sealant	31	— ⁽⁴⁾	Plate – Differential
13	— ⁽³⁾	Arm – Carrier Cover Support	32	— ⁽⁴⁾	Spacer – Dished
14	40286-1	Screw – Carrier Cover	33	40835	Clip – Differential Clutch Retainer
15	40286-2	Screw – Carrier Cover		706880X	KIT – Unit Bearing & Seal
16	39527	Fill Plug			(inc items 12, 34, 35, 36)
17	40750	Breather Vent	34	40108	Oil Seal
18	— ⁽³⁾	Bushing – Carrier Cover Arm	35	565987	Bearing – Inner Yoke Shaft
19	40284-2	Bolt – Differential Bearing Cap	36	— ⁽⁴⁾	Snap Ring
20	— ⁽³⁾	Differential Bearing Cap	37	— ⁽¹⁾	Shaft – Inner Yoke

(1) See "Bill of Material Table" on next page

(2) See "Variable Parts Table" below

(3) Contact Vehicle Manufacturer

(4) Not Sold Separately

Variable Parts Listing

Kits & Parts - Use With All Applications							
Description & Item Number (Refer to "Exploded View" on the previous page)			Bills of Material				
			605172 605180 605239	605260 605321 605490			
1	Pinion – Differential	24	40265	41599			
2	Gear – Differential	25	40276	44038			
3	Shaft – Differential	28	41028	41519			

GM Model 36 /200 ICA Rear Axles

Bill of Material Table

Axle			Axle Kits				Shaft & Joint Assy.	
Bill of Material	Diff. Type	Ratio	Ring Gear & Pinion Kit ⁽⁷⁾	Differential			Right Hand Shaft Assy.	Left Hand Shaft Assy.
				Case Assy. Kit ⁽⁸⁾	Case Kit	Inner Parts Kit		
1984 Corvette								
605172-1	Trac Lok	3.07	72505-5X	706872X	706874X	706875X	3-82-1001-2	3-82-1001-1
605172-2	Trac Lok	3.31	72504-5X	706872X	706874X	706875X	3-82-1001-2	3-82-1001-1
605180-1	Trac Lok	3.07	72505-5X	706872X	706874X	706875X	3-82-1001-2	3-82-1001-1
605180-2	Trac Lok	3.31	72504-5X	706872X	706874X	706875X	3-82-1001-2	3-82-1001-1
605180-3	Trac Lok	3.07	72505-5X	706872X	706874X	706875X	3-82-1001-2	3-82-1001-1
605180-4	Trac Lok	3.07	72505-5X	706872X	706874X	706875X	3-82-1001-2	3-82-1001-1
605180-5	Trac Lok	3.31	72504-5X	706872X	706874X	706875X	3-82-1001-2	3-82-1001-1
605180-6	Trac Lok	3.07	72505-5X	706872X	706874X	706875X	3-82-1001-2	3-82-1001-1
605180-7	Trac Lok	2.73	72587-5X	706871X	706873X	706875X	3-82-1001-2	3-82-1001-1
1984-86 Corvette								
605239-1	Trac Lok	2.73	72587-5X	706871X	706873X	706875X	3-82-1001-2	3-82-1001-1
605239-2	Trac Lok	3.07	72505-5X	706872X	706874X	706875X	3-82-1001-2	3-82-1001-1
605239-3	Trac Lok	3.31	72504-5X	706872X	706874X	706875X	3-82-1001-2	3-82-1001-1
605239-4	Trac Lok	3.07	72505-5X	706872X	706874X	706875X	3-82-1001-2	3-82-1001-1
1985-87 Corvette								
605260-1	Trac Lok	2.73	72587-5X	74224X ⁽⁹⁾	707015X	707226X	41533-1	41533-2
605260-2	Trac Lok	3.07	72505-5X	74230X ⁽⁹⁾	707016X	707226X	41533-1	41533-2
605260-3	Trac Lok	3.31	72504-5X	74230X ⁽⁹⁾	707016X	707226X	41533-1	41533-2
605260-4	Trac Lok	3.07	72505-5X	74230X ⁽⁹⁾	707016X	707226X	41533-1	41533-2
605260-5	Trac Lok	2.53	72839-5X	74224X ⁽⁹⁾	707015X	707226X	41533-1	41533-2
605260-6	Trac Lok	2.59	72668-5X	74224X ⁽⁹⁾	707015X	707226X	41533-1	41533-2
1988-90 Corvette								
605321-1	Trac Lok	2.73	72587-5X	74224X ⁽⁹⁾	707015X	707226X	41533-1	41533-2
605321-4	Trac Lok	3.07	72505-5X	74230X ⁽⁹⁾	707016X	707226X	41533-1	41533-2
605321-6	Trac Lok	2.59	72668-5X	74224X ⁽⁹⁾	707015X	707226X	41533-1	41533-2
1990 1/2-96 1/2 Corvette								
605490-1	Trac Lok	2.73	72587-5X	74224X ⁽⁹⁾	707015X	707226X	41533-1	41533-2
605490-2	Trac Lok	3.07	72505-5X	74230X ⁽⁹⁾	707016X	707226X	41533-1	41533-2
605490-4	Trac Lok	2.59	72668-5X	74224X ⁽⁹⁾	707015X	707226X	41533-1	41533-2

(7) See Ring Gear & Pinion Kits in XGI Catalog for ratio & tooth combinations.

(8) See Differential Case Assy Kits in XGI Catalog for spline data & ratios.

(9) This is a case assembly and does not include shims, bearings or drive gear screws.

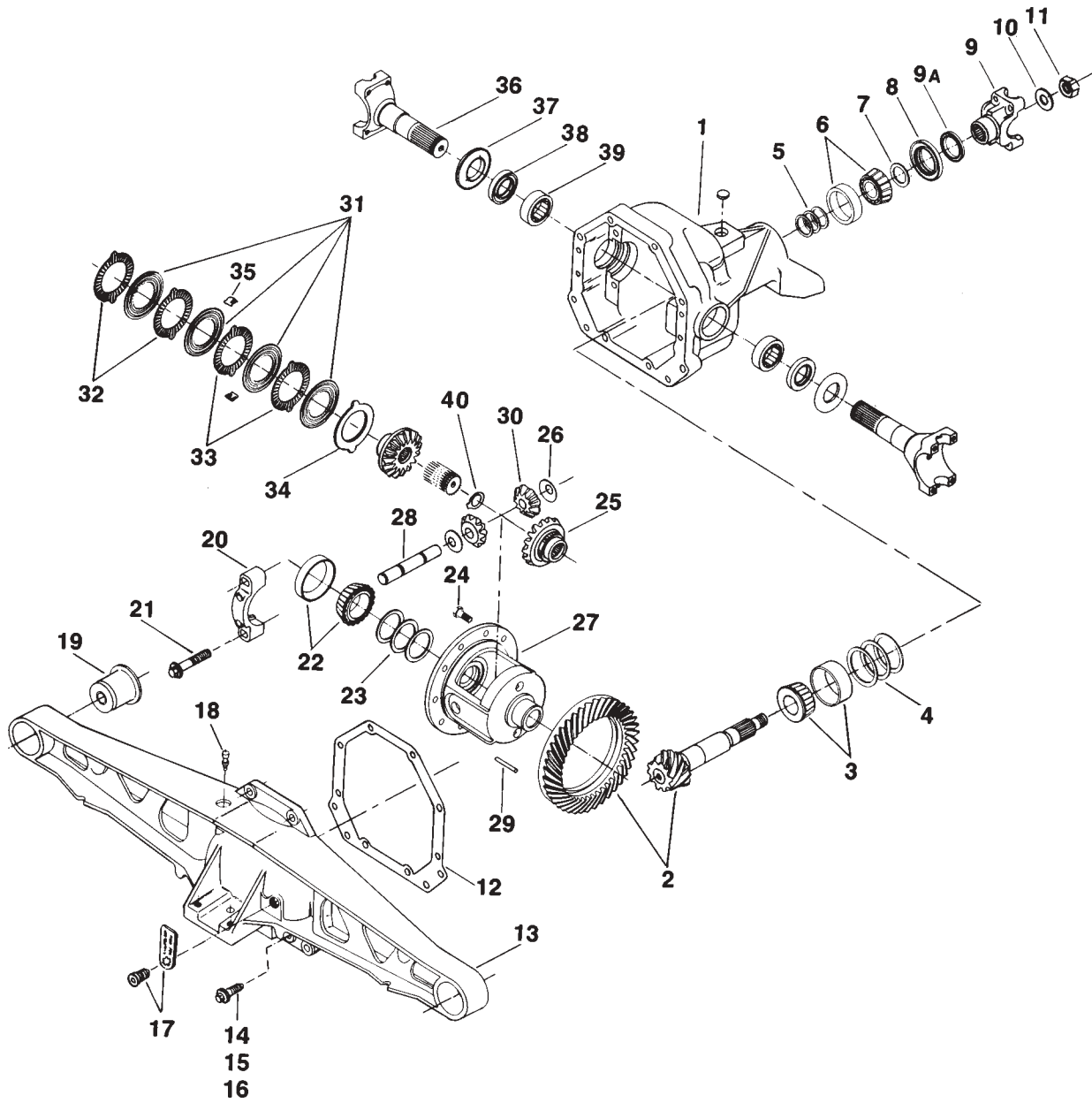
GM / Chevrolet 1980 - 1996 1/2

Model 44 /216 ICA Rear Axles for

Corvette

GM / Chevrolet 44 /216 ICA Rear Axles Exploded View

X510-9



GM / Chevrolet 44 /216 ICA Rear Axles

Parts Listing

ITEM NO.	PART NUMBER	DESCRIPTION	ITEM NO.	PART NUMBER	DESCRIPTION
1	— ⁽³⁾	Housing – Axle Service	22	— ⁽²⁾	KIT – Differential Bearing
2	— ⁽¹⁾	Drive Pinion & Gear Assembly	23	706757X	PKG – Diff & Pinion Bearing Shim
3	— ⁽²⁾	KIT – Inner Pinion Bearing	24	— ⁽²⁾	Bolt – Drive Gear (qty 10)
4	72922-1X	PKG – Inner Pinion Bearing Shims	25	—	Gear – Differential
5	72921X	PKG – Outer Pinion Bearing Shims	26	13338-3	Thrustwasher – Differential Pinion
6	— ⁽²⁾	KIT – Outer Pinion Bearing	27	— ⁽¹⁾	Case – Differential
7	42737	Thrustwasher – Bearing	28	— ⁽²⁾	Shaft – Differential
8	— ⁽²⁾	Seal – Pinion Oil	29	13449	Lock – Differential Shaft
9	— ⁽²⁾	End Yoke or Assembly (inc 9A)	30	— ⁽²⁾	Pinion – Differential
9A	— ⁽²⁾	Slinger – End Yoke		707018X	KIT – Differential Plate & Disc
10	30275	Washer – Pinion Nut			(inc items 31, 32, 33, 34, 35)
11	30271	Pinion Nut	31	— ⁽⁴⁾	Disc – Differential
12	38615	RTV Silicone Sealant	32	— ⁽⁴⁾	Plate – Differential
13	— ⁽³⁾	Arm – Carrier Cover Support	33	— ⁽⁴⁾	Plate – Differential
14	40326-2	Screw – Carrier Cover (qty 5)	34	— ⁽⁴⁾	Spacer – Dished
15	43507	Nut – Carrier Cover (qty 2)	35	40835	Clip – Differential Clutch Retainer
16	44539	Bolt – Carrier Cover (qty 2)	36	— ⁽¹⁾	Shaft – Inner Yoke
17	39527	Fill Plug	37	41218	Shield – Stone
18	40750	Breather Vent	38	— ⁽²⁾	Oil Seal
19	—	Bushing – Carrier Cover	39	566002	Bearing – Inner Yoke Shaft
20	— ⁽³⁾	Differential Bearing Cap	40	— ⁽⁴⁾	Snap Ring
21	41212	Bolt – Differential Bearing Cap			

(1) See "Bill of Material Table" on next page

(2) See "Variable Parts Table" below

(3) Contact Vehicle Manufacturer

(4) Not Sold Separately

Variable Parts Listing

Kits & Parts - Use With All Applications							
Description & Item Number (Refer to "Exploded View" on the previous page)			Bills of Material				
			603967	605062	605220 605322 605417	605491 605492	
1	KIT – Inner Pinion Bearing	3	706015X	706015X	706996X	706996X	
2	KIT – Outer Pinion Bearing	6	706014X	706014X	706123X	706123X	
3	Seal – Pinion Oil	8	39118	39118	42449	42449	
4	End Yoke or Assembly (inc 9A)	9	2-4-8091-1X	2-4-8091-1X	2-4-6541-1	2-4-6541-1	
5	Slinger – End Yoke	9A	15099	15099	42501	42501	
6	KIT – Differential Bearing	22	706110X	706110X	706988X	706988X	
7	Bolt – Drive Gear (qty 10)	24	40164	40164	41221	41221	
8	Shaft – Differential	28	35659	35659	41219	41219	
9	Pinion – Differential	30	32808	32808	32808	44010	
10	Oil Seal	38	39590	41220	41220	41220	

GM / Chevrolet 44 /216 ICA Rear Axles

Bill of Material Table

Axle			Axle Kits				Shaft & Joint Assy.	
Bill of Material	Diff. Type	Ratio	Ring Gear & Pinion Kit ⁽⁷⁾	Differential			Right Hand Shaft Assy.	Left Hand Shaft Assy.
				Case Assy. Kit ⁽⁸⁾	Case Kit	Inner Parts Kit		
1980 Corvette								
603967-1	Trac Lok	3.54	706755-2X	706752X	706753X	706754X	70987-2X	70987-1X
603967-2	Trac Lok	3.31	706755-1X	706752X	706753X	706754X	71090-2X	71090-1X
603967-3	Trac Lok	3.73	706755-3X	706752X	706753X	706754X	70987-2X	70987-1X
603967-4	Trac Lok	2.72	706755-8X	706752X	706753X	706754X	71090-2X	71090-1X
603967-5	Trac Lok	3.31	706755-1X	706752X	706753X	706754X	71090-2X	71090-1X
603967-6	Trac Lok	3.07	706755-4X	706752X	706753X	706754X	71090-2X	71090-1X
603967-7	Trac Lok	3.07	706755-4X	706752X	706753X	706754X	71090-2X	71090-1X
603967-8	Trac Lok	3.54	706755-2X	706752X	706753X	706754X	70987-2X	70987-1X
603967-9	Trac Lok	3.23	706755-6X	706752X	706753X	706754X	70987-2X	70987-1X
603967-10	Trac Lok	3.23	706755-6X	706752X	706753X	706754X	70987-2X	70987-1X
603967-11	Trac Lok	2.72	706755-8X	706752X	706753X	706754X	71090-2X	71090-1X
603967-12	Trac Lok	3.73	706755-3X	706752X	706753X	706754X	70987-2X	70987-1X
603967-13	Trac Lok	2.87	706755-9X	706752X	706753X	706754X	71090-2X	71090-1X
603967-14	Trac Lok	2.87	706755-9X	706752X	706753X	706754X	71090-2X	71090-1X
1981-83 Corvette								
605062-1	Trac Lok	2.72	706755-8X	706752X	706753X	706754X	71090-2X	71090-1X
605062-2	Trac Lok	2.87	706755-9X	706752X	706753X	706754X	70987-2X	70987-1X
605062-3	Trac Lok	2.72	706755-8X	706752X	706753X	706754X	70987-2X	70987-1X
605062-4	Trac Lok	2.72	706755-8X	706752X	706753X	706754X	70987-2X	70987-1X
605062-5	Trac Lok	2.72	706755-8X	706752X	706753X	706754X	71090-2X	71090-1X
605062-6	Trac Lok	2.87	706755-9X	706752X	706753X	706754X	71090-2X	71090-1X
605062-7	Trac Lok	2.87	706755-9X	706752X	706753X	706754X	71090-2X	71090-1X
605062-8	Trac Lok	3.07	706755-4X	706752X	706753X	706754X	70987-2X	70987-1X
1985-87 Corvette								
605220-1	Trac Lok	2.72	72622-5X ⁽⁹⁾	72400X ⁽¹⁰⁾	41210 ⁽¹¹⁾	707225X	72404-1X	72404-2X
605220-2	Trac Lok	3.07	72719-5X ⁽⁹⁾	74229X ⁽¹⁰⁾	41232 ⁽¹¹⁾	707225X	72404-1X	72404-2X
605220-3	Trac Lok	3.31	72602-5X ⁽⁹⁾	74229X ⁽¹⁰⁾	41232 ⁽¹¹⁾	707225X	72404-1X	72404-2X
605220-6	Trac Lok	2.87	72686-5X ⁽⁹⁾	72400X ⁽¹⁰⁾	41210 ⁽¹¹⁾	707225X	72404-1X	72404-2X
605220-7	Trac Lok	3.07	72719-5X ⁽⁹⁾	74229X ⁽¹⁰⁾	41232 ⁽¹¹⁾	707225X	72404-1X	72404-2X
1989 1/2-90 Corvette								
605322-5	Trac Lok	3.33	73919-5X ⁽⁹⁾	74229X ⁽¹⁰⁾	41232 ⁽¹¹⁾	707225X	72404-1X	72404-2X
605322-7	Trac Lok	3.54	73134-5X ⁽⁹⁾	74229X ⁽¹⁰⁾	41232 ⁽¹¹⁾	707225X	72404-1X	72404-2X
605322-9	Trac Lok	3.45	75518-5X ⁽⁹⁾	74229X ⁽¹⁰⁾	41232 ⁽¹¹⁾	707225X	72404-1X	72404-2X
1990-90 1/2 Corvette								
605417-4	Trac Lok	3.54	73134-5X ⁽⁹⁾	72405X ⁽¹⁰⁾	41232 ⁽¹¹⁾	707225X	72404-1X	72404-2X
1990-96 1/2 Corvette								
605491-2	Trac Lok	3.33	73919-5X ⁽⁹⁾	74229X ⁽¹⁰⁾	41232 ⁽¹¹⁾	707225X	72404-1X	72404-2X
605491-3	Trac Lok	3.45	75518-5X ⁽⁹⁾	74229X ⁽¹⁰⁾	41232 ⁽¹¹⁾	707225X	72404-1X	72404-2X
605491-4	Trac Lok	3.54	73134-5X ⁽⁹⁾	74229X ⁽¹⁰⁾	41232 ⁽¹¹⁾	707225X	72404-1X	72404-2X
605491-6	Trac Lok	3.33	73919-5X ⁽⁹⁾	74229X ⁽¹⁰⁾	41232 ⁽¹¹⁾	707225X	72404-1X	72404-2X
1990 1/2 Corvette								
605492-1	Trac Lok	3.54	73134-5X ⁽⁹⁾	74229X ⁽¹⁰⁾	41232 ⁽¹¹⁾	707225X	72404-1X	72404-2X

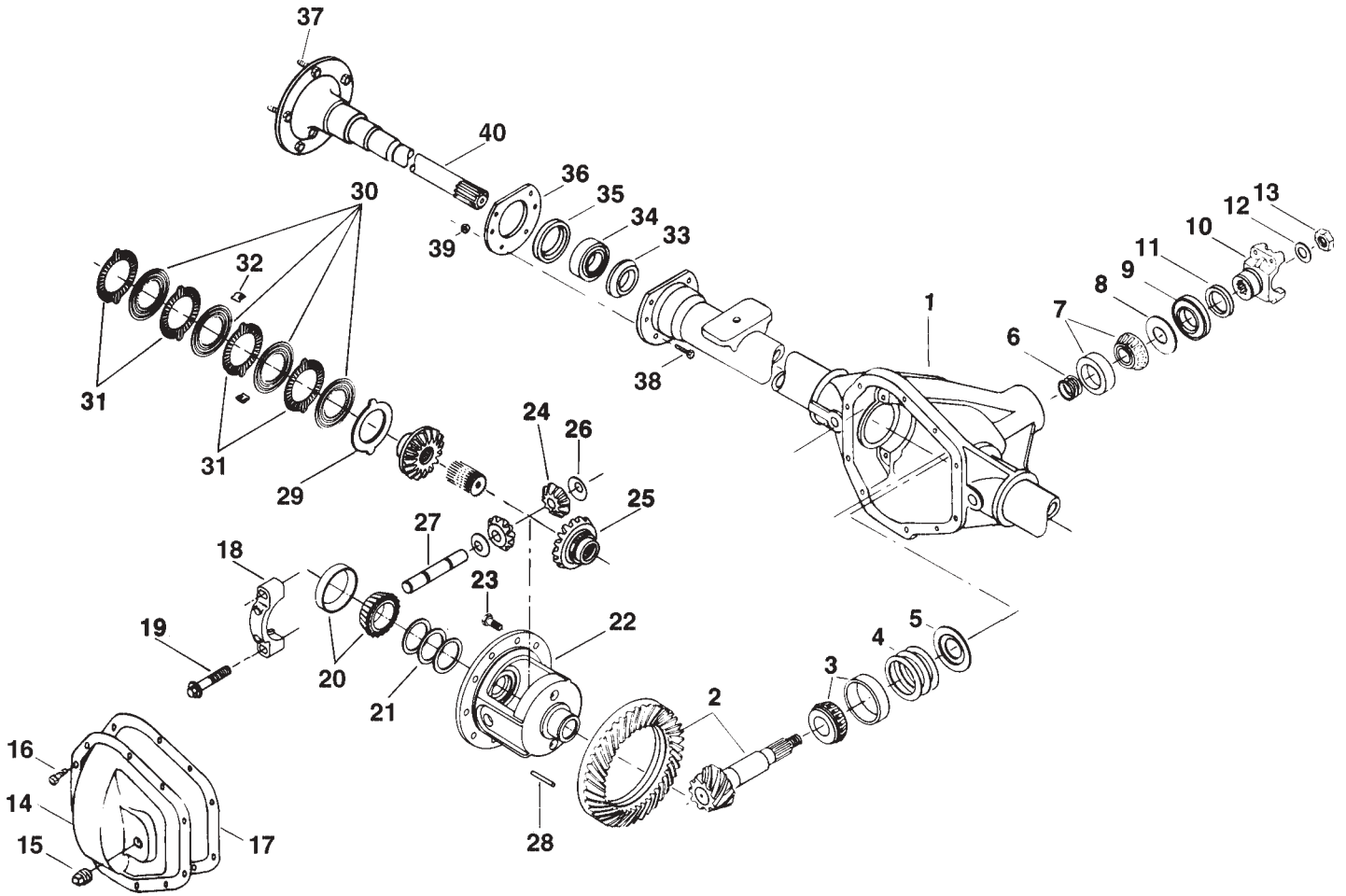
(7) See Ring Gear & Pinion Kits in XGI Catalog for ratio & tooth combinations.
(8) See Differential Case Assy Kits in XGI Catalog for spline data & ratios.
(9) This kit includes ring gear, pinion, nut, washer and drive gear screws.
(10) This case assembly does not include shims, bearings or drive gear screws.
(11) This is a bare case.

GM / Chevrolet 1984 - 1994

Model 44 /216 Rear Axles for

F-Car

GM / Chevrolet 44 /216 Rear Axles for F-Car Exploded View



GM / Chevrolet 44 /216 Rear Axles for F-Car Parts Listing

ITEM NO.	PART NUMBER	DESCRIPTION	ITEM NO.	PART NUMBER	DESCRIPTION
1	— ⁽³⁾	Housing – Axle Service	19	48632-1	Bolt – Differential Bearing Cap
2	— ⁽¹⁾	Drive Pinion & Gear Assembly	20	706032X	KIT – Differential Bearing
3	706031X	KIT – Inner Pinion Bearing	21	701005X	PKG – Diff & Pinion Bearing Shim
4	—	Inner Pinion Bearing Shims (see shim packages)	22	— ⁽⁴⁾	Case – Differential (t/l)
5	—	Baffle – Pinion Bearing	23	41221	Bolt – Drive Gear (qty 10)
6	—	Outer Pinion Bearing Shims (see shim packages)	24	41193	Pinion – Differential (t/l)
	701067X	PKG – Diff & Pinion Bearing Shim (inc items 4, 6, 21)	25	46618	Gear – Differential (t/l)
	701066X	PKG – Pinion Bearing Shim (inc items 4, 6)	26	13338-3	Thrustwasher – Diff Pinion (t/l)
7	706030X	KIT – Outer Pinion Bearing	27	39194	Shaft – Differential
8	41012	Slinger – Outer Pinion Bearing	28	13449	Lock – Differential Shaft
9	— ⁽²⁾	Seal – Pinion Oil		706352X	KIT – Differential Plate & Disc (t/l) (inc items 29, 30, 31, 32)
10	— ⁽²⁾	End Yoke Assembly (inc 11)	29	— ⁽⁴⁾	Plate – Differential Dished
11	41498	Slinger – End Yoke	30	— ⁽⁴⁾	Disc – Differential
12	30186	Washer – Pinion Nut	31	— ⁽⁴⁾	Plate – Differential
13	30185	Pinion Nut	32	40835	Clip – Differential Clutch Retainer
	707109X	KIT – Carrier Cover (inc items 14, 15, 16)		706989X	KIT – Unit Bearing and Seal (inc items 33, 34, 35, 36)
14	42960-2	Carrier Cover	33	36121	Retainer Ring – Wheel Bearing
15	43180	Plug – Carrier Cover	34	565909	Wheel Bearing Assembly
16	34279	Bolt – Carrier Cover	35	35938	Seal – Outboard Shaft
17	38615	RTV Silicone Sealant	36	41181	Oil Seal Retainer
18	— ⁽³⁾	Differential Bearing Cap	37	40544	Wheel Bolt
			38	— ⁽³⁾	Bolt – Brake Mounting
			39	— ⁽³⁾	Nut – Brake Mounting
			40	— ⁽¹⁾	Shaft – Axle Flange Drive

(1) See "Bill of Material Table" on next page

(2) See "Variable Parts Table" below

(3) Contact Vehicle Manufacturer

(4) Not Sold Separately

Variable Parts Listing

Kits & Parts - Use With All Applications							
Description & Item Number (Refer to "Exploded View" at the front of this section)			Bills of Material				
			605218	605558			
1	Seal – Pinion Oil	9	39118	41455			
2	End Yoke Assembly (inc 11)	10	2-4-3581-1X ⁽¹⁰⁾	2-4-8091X			

(10) Bearing strap kit used with end yoke.

GM / Chevrolet 44 /216 Rear Axles for F-Car

Bill of Material Table

Axle			Axle Kits				Shaft & Joint Assy.	
Bill of Material	Diff. Type	Ratio	Ring Gear & Pinion Kit ⁽⁷⁾	Differential			Right Hand Shaft Assy.	Left Hand Shaft Assy.
				Case Assy. Kit ⁽⁸⁾	Case Kit	Inner Parts Kit		
1984-85 F-Car								
605218-1	Trac Lok	3.31	706990-1X	707132X	707133X	707134X	72384-2X	72384-1X
605218-2	Trac Lok	4.09	706990-2X	707155X	707156X	707134X	72384-2X	72384-1X
605218-3	Trac Lok	3.92	706990-3X	707155X	707156X	707134X	72384-2X	72384-1X
1992 1/2-94 F-Car								
605558-1	Trac Lok	3.54	72950-5X ⁽⁹⁾	707132X	707133X	707134X	74555-1X	74555-2X

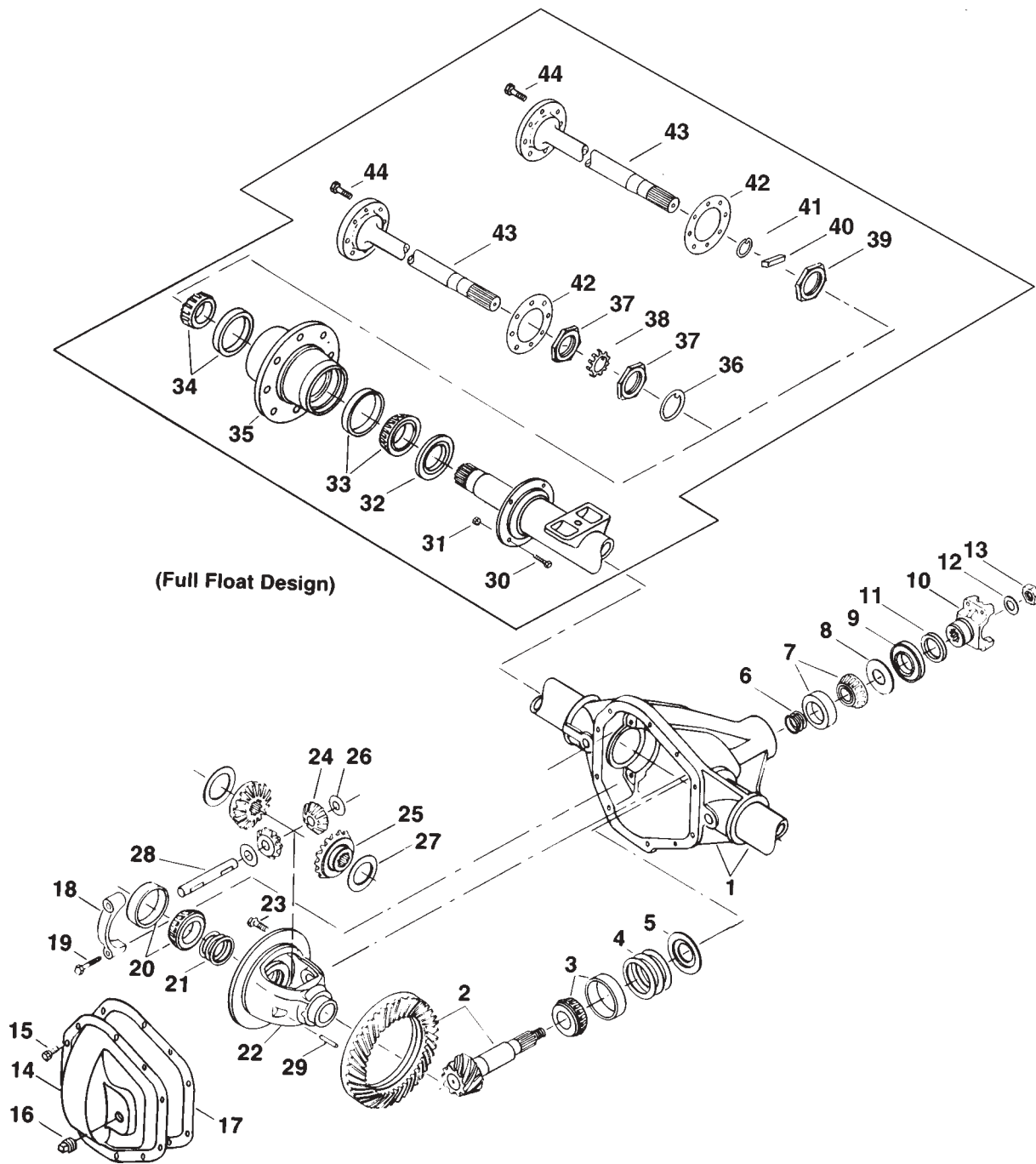
- (7) See Ring Gear & Pinion Kits in XGI Catalog for ratio & tooth combinations.
- (8) See Differential Case Assy Kits in XGI Catalog for spline data & ratios.
- (9) Kit includes ring gear, pinion, washer, nut and drive gear screws.

GM / Chevrolet 1979-1991 1/2

Model 60 /248 Rear Axles for

G-Van

GM Model 60 /248 Rear Axles Exploded View



GM Model 60 /248 Rear Axles Parts Listing



ITEM NO.	PART NUMBER	DESCRIPTION	ITEM NO.	PART NUMBER	DESCRIPTION
1	— ⁽³⁾	Housing – Axle Service	19	48632-1	Bolt – Differential Bearing Cap
2	— ⁽¹⁾	Drive Pinion & Gear Assembly	20	706047X	KIT – Differential Bearing
3	706046X	KIT – Inner Pinion Bearing	21	706378X	PKG – Diff Bearing Shim (inc 17)
	706375X	PKG – Diff & Pinion Bearing Shim (inc items 4, 6, 12, 13, 17, 21)	22	— ⁽⁴⁾	Case – Differential (std)
	706359X	PKG – Pinion Bearing Shim (inc items 4, 6, 12, 13, 17)	23	40638	Bolt – Drive Gear (qty 12)
4	—	Inner Pinion Bearing Shims (see shim packages)	24	34367	Pinion – Differential (std)
5	30982	Baffle – Pinion Bearing	25	35625	Gear – Differential (std)
6	—	Outer Pinion Bearing Shims (see shim packages)	26	34730	Thrustwasher – Diff Pinion (std)
7	706045X	KIT – Outer Pinion Bearing	27	34729	Thrustwasher – Diff Gear (std)
8	42737	Thrustwasher	28	30263	Shaft – Differential (std)
9	42449	Seal – Pinion Oil	29	44810	Lock – Differential Shaft
10	3-4-5731-1X	End Yoke Assembly (inc 11) Bearing strap kit used w/end yoke	30	— ⁽³⁾	Bolt – Brake Mounting
11	232752	Slinger – End Yoke	31	— ⁽³⁾	Nut – Brake Mounting
12	30275	Washer – Pinion Nut	32	— ⁽³⁾	Hub Seal
13	30271	Pinion Nut	33	706179X	KIT – Inner Wheel Bearing
	— ⁽²⁾	KIT – Carrier Cover (inc items 14, 15, 16)	34	706074X	KIT – Outer Wheel Bearing
14	— ⁽²⁾	Carrier Cover	35	— ⁽³⁾	Wheel Hub
15	34822	Bolt – Carrier Cover	36	— ⁽²⁾	Thrustwasher – Wheel Bearing
16	— ⁽²⁾	Plug – Carrier Cover	37	— ⁽²⁾	Spindle Nut
17	34687	Gasket	38	— ⁽²⁾	Lockwasher – Wheel Bearing
18	— ⁽³⁾	Differential Bearing Cap	39	— ⁽³⁾	Spindle Nut
			40	— ⁽³⁾	Key – Square
			41	— ⁽³⁾	Snap Ring
			42	36554	Gasket
			43	— ⁽¹⁾	Axle Shaft
			44	37871	Bolt – Axle Shaft

- (1) See "Bill of Material Table" on next page
- (2) See "Variable Parts Table" below
- (3) Contact Vehicle Manufacturer
- (4) Not Sold Separately

Variable Parts Listing

Kits & Parts - Use With All Applications						
Description & Item Number (Refer to "Exploded View" on previous page)			Bills of Material			
			603702 603884	605000 605001	605132 605133 605200	605201 605268 605403 605405 605495 605496
1	KIT – Carrier Cover	-	706128X	707108X	707233X	707108X
2	Carrier Cover	14	34675	42799-2	43600-1	42799-2
3	Plug – Carrier Cover	16	36472	43180	43180	43180
4	Thrustwasher – Wheel Bearing	36	33734	—	—	—
5	Spindle Nut	37	33732	—	—	—
6	Lockwasher – Wheel Bearing	38	33733	—	—	—

GM Model 60 /248 Rear Axles

Bill of Material Table

Axle			Axle Kits				Shaft & Joint Assy.	
Bill of Material	Diff. Type	Ratio	Ring Gear & Pinion Kit ⁽⁷⁾	Differential			Right Hand Shaft Assy.	Left Hand Shaft Assy.
				Case Assy. Kit ⁽⁸⁾	Case Kit	Inner Parts Kit		
1979 DRW G-Van 125" WB - Full Float								
603884-1	Standard	4.56	706033-4X	706182X	706041X	706702X	41100-1	41100-1
603884-2	Standard	4.10	706033-3X	706180X	706040X	706702X	41100-1	41100-1
1979 DRW G-Van 146" WB - Full Float								
603702-1	Standard	4.56	706033-4X	706182X	706041X	706702X	41100-1	41100-1
603702-2	Standard	4.10	706033-3X	706180X	706040X	706702X	41100-1	41100-1
1980-82 DRW G-Van 125" WB - Full Float								
605000-1	Standard	4.56	706033-4X	706182X	706041X	706702X	41100-1	41100-1
605000-2	Standard	4.10	706033-3X	706180X	706040X	706702X	41100-1	41100-1
605000-3	Standard	4.10	706033-3X	706180X	706040X	706702X	41100-1	41100-1
605000-4	Standard	4.56	706033-4X	706182X	706041X	706702X	41100-1	41100-1
605000-5	Standard	4.10	706033-3X	706180X	706040X	706702X	41100-1	41100-1
605000-6	Standard	4.56	706033-4X	706182X	706041X	706702X	41100-1	41100-1
1980-82 DRW G-Van 146" WB - Full Float								
605001-1	Standard	4.56	706033-4X	706182X	706041X	706702X	41100-1	41100-1
605001-2	Standard	4.10	706033-3X	706180X	706040X	706702X	41100-1	41100-1
605001-3	Standard	4.10	706033-3X	706180X	706040X	706702X	41100-1	41100-1
605001-4	Standard	4.56	706033-4X	706182X	706041X	706702X	41100-1	41100-1
605001-5	Standard	4.10	706033-3X	706180X	706040X	706702X	41100-1	41100-1
605001-6	Standard	4.56	706033-4X	706182X	706041X	706702X	41100-1	41100-1
1983 DRW G-Van 125" WB - Full Float								
605132-1	Standard	4.56	706033-4X	706182X	706041X	706702X	41100-1	41100-1
605132-2	Standard	4.10	706033-3X	706180X	706040X	706702X	41100-1	41100-1
1983 DRW G-Van 146" WB - Full Float								
605133-1	Standard	4.56	706033-4X	706182X	706041X	706702X	41100-1	41100-1
605133-2	Standard	4.10	706033-3X	706180X	706040X	706702X	41100-1	41100-1
1985-86 DRW G-Van 125" WB - Full Float								
605200-1	Standard	4.10	706033-3X	706180X	706040X	706702X	41100-1	41100-1
605200-2	Standard	4.56	706033-3X	706180X	706040X	706702X	41100-1	41100-1
1985-89 DRW G-Van 146" WB - Full Float								
605201-1	Standard	4.10	706033-3X	706180X	706040X	706702X	41100-1	41100-1
605201-2	Standard	4.56	706033-4X	706182X	706041X	706702X	41100-1	41100-1
1986-89 DRW G-Van 125" WB - Full Float								
605268-1	Standard	4.10	706033-3X	706180X	706040X	706702X	41100-1	41100-1
605268-2	Standard	4.56	706033-4X	706182X	706041X	706702X	41100-1	41100-1
1990 DRW G-Van 125" WB - Full Float								
605405-1	Standard	4.10	706033-3X	706180X	706040X	706702X	41100-1	41100-1
605405-2	Standard	4.56	706033-4X	706182X	706041X	706702X	41100-1	41100-1
1990 DRW G-Van 146" WB - Full Float								
605403-1	Standard	4.10	706033-3X	706180X	706040X	706702X	41100-1	41100-1
605403-2	Standard	4.56	706033-4X	706182X	706041X	706702X	41100-1	41100-1
1990 1/2-91 1/2 DRW G-Van 125" WB - Full Float								
605496-1	Standard	4.10	706033-3X	706180X	706040X	706702X	41100-1	41100-1
605496-2	Standard	4.56	706033-4X	706182X	706041X	706702X	41100-1	41100-1
1990 1/2-91 1/2 DRW G-Van 146" WB - Full Float								
605495-1	Standard	4.10	706033-3X	706180X	706040X	706702X	41100-1	41100-1
605495-2	Standard	4.56	706033-4X	706182X	706041X	706702X	41100-1	41100-1

(7) See Ring Gear & Pinion Kits in XGI Catalog for ratio & tooth combinations.

(8) See Differential Case Assy Kits in XGI Catalog for spline data & ratios.

GM / Chevrolet 1979-1994

Model 70 /267 Rear Axles for

C-30

DRW G-Van, SRW G-Van

G-Van Extended

G-300

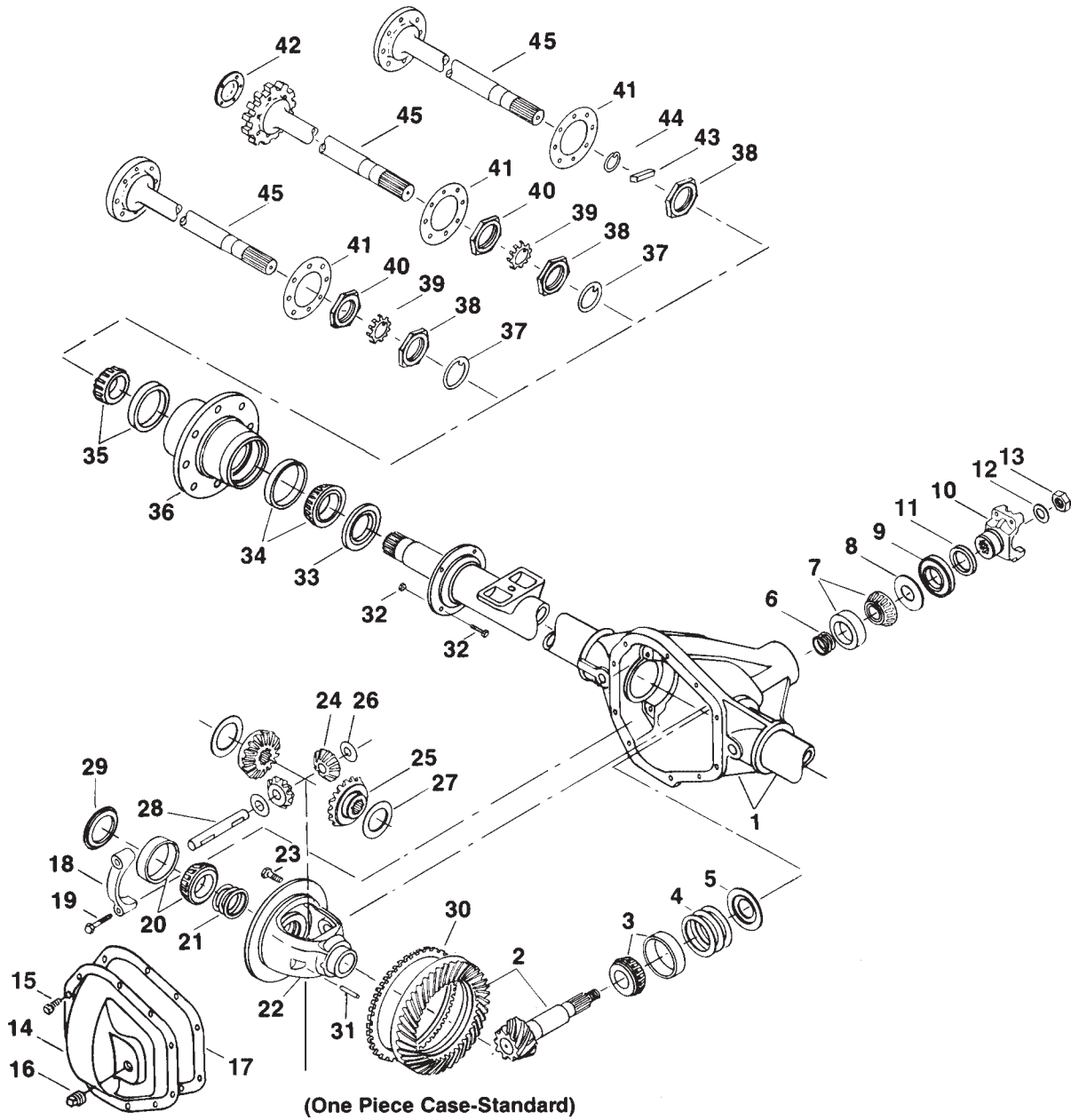
K-30

P-30, P-300

R-30

V-30

GM Model 70 /267 Rear Axles Exploded View



GM Model 70 /267 Rear Axles

Parts Listing

ITEM NO.	PART NUMBER	DESCRIPTION	ITEM NO.	PART NUMBER	DESCRIPTION
1	— ⁽³⁾	Housing – Axle Service	20	— ⁽²⁾	KIT – Differential Bearing
2	— ⁽¹⁾	Drive Pinion & Gear Assembly	21	— ⁽²⁾	PKG – Diff Bearing Shim (inc 17)
3	— ⁽²⁾	KIT – Inner Pinion Bearing	22	— ⁽⁴⁾	Case – Differential (std)
4	—	Inner Pinion Bearing Shims (see shim packages)	23	— ⁽²⁾	Bolt – Drive Gear (qty 12)
	706357X	PKG – Pinion Bearing Shim (inc items 4, 6, 12, 13, 17)	24	35080	Pinion – Differential (std)
5	— ⁽²⁾	Baffle – Pinion Bearing	25	35079	Gear – Differential (std)
6	—	Outer Pinion Bearing Shims (see shim packages)	26	35082	Thrustwasher – Diff Pinion (std)
	— ⁽²⁾	PKG – Diff & Pinion Bearing Shim (inc items 4, 6, 12, 13, 17, 21)	27	34729	Thrustwasher – Diff Gear (std)
7	706045X	KIT – Outer Pinion Bearing	28	— ⁽²⁾	Shaft – Differential (std)
8	42737	Thrustwasher – Bearing	29	— ⁽²⁾	Spacer – Differential Bearing
9	42449	Seal – Pinion Oil	30	—	Tone Ring (ABS)
10	— ⁽²⁾	End Yoke Assembly (inc 11)	31	47024	Lock – Differential Shaft (std)
11	232752	Slinger – End Yoke	32	— ⁽³⁾	Nut/Bolt – Brake Mounting
12	30275	Washer – Pinion Nut	33	39693	Hub Seal
13	30271	Pinion Nut	34	— ⁽²⁾	KIT – Inner Wheel Bearing
	— ⁽²⁾	KIT – Carrier Cover (inc items 14, 15, 16)	35	— ⁽²⁾	KIT – Outer Wheel Bearing
14	— ⁽²⁾	Carrier Cover	36	— ⁽³⁾	Wheel Hub
15	34822	Bolt – Carrier Cover (qty 10)	37	— ⁽²⁾	Thrustwasher – Wheel Bearing
16	— ⁽²⁾	Plug – Carrier Cover	38	— ⁽²⁾	Spindle Nut
17	34687	Gasket – Carrier Cover	39	— ⁽²⁾	Lockwasher – Spindle Nut
18	— ⁽³⁾	Differential Bearing Cap	40	— ⁽²⁾	Spindle Nut
19	48632-1	Bolt – Differential Bearing Cap	41	— ⁽²⁾	Gasket
			42	— ⁽²⁾	Hub Cap
			43	— ⁽²⁾	Key – Square
			44	— ⁽²⁾	Snap Ring
			45	— ⁽¹⁾	Axle Shaft

- (1) See "Bill of Material Table" on next page
(2) See "Variable Parts Table" within this section
(3) Contact Vehicle Manufacturer
(4) Not Sold Separately

GM Model 70 /267 Rear Axles

Bill of Material Table

Axle			Axle Kits				Shaft & Joint Assy.	
Bill of Material	Diff. Type	Ratio	Ring Gear & Pinion Kit ⁽⁷⁾	Differential			Right Hand Shaft Assy.	Left Hand Shaft Assy.
				Case Assy. Kit ⁽⁸⁾	Case Kit	Inner Parts Kit		
1979 G-300 146" WB - 70B								
603703-1	Standard	4.10	706999-4X	706051X	706055X	706058X	41100-1	41100-1
603703-2	Standard	4.56	706999-6X	706052X	706056X	706058X	41100-1	41100-1
1979 C-30 Dual Wheel - 70HD								
603704-1	Standard	4.10	706999-4X	706064X	706068X	706058X	41100-1	41100-1
603704-2	Standard	4.56	706999-6X	706065X	706069X	706058X	41100-1	41100-1
603704-3	Standard	3.73	706999-2X	706064X	706068X	706058X	41100-1	41100-1
603704-4	Standard	4.56	706999-6X	706065X	706069X	706058X	41100-1	41100-1
603704-5	Standard	4.10	706999-4X	706064X	706068X	706058X	41100-1	41100-1
603704-6	No Spin	4.10	706999-4X	70716X	706185X	35683	41100-1	41100-1
1979 P-300 Motor Home - 70HD								
603929-1	Standard	4.56	706999-6X	706065X	706069X	706058X	36625-1	36625-1
603929-2	Standard	4.88	706999-8X	706065X	706069X	706058X	36625-1	36625-1
1979 P-300 UPS - 70HD								
603970-1	Standard	4.10	706999-4X	706064X	706068X	706058X	41100-1	41100-1
603987-1	Standard	4.10	706999-4X	706064X	706068X	706058X	41100-1	41100-1
1980-81 C-30 Dual Wheel - 70HD								
605003-1	Standard	4.10	706999-4X	706064X	706068X	706058X	41100-1	41100-1
605003-2	Standard	4.56	706999-6X	706065X	706069X	706058X	41100-1	41100-1
605003-3	Standard	3.73	706999-2X	706064X	706068X	706058X	41100-1	41100-1
605003-4	Standard	3.73	706999-2X	706064X	706068X	706058X	41100-1	41100-1
605003-5	Standard	4.10	706999-4X	706064X	706068X	706058X	41100-1	41100-1
605003-6	Standard	4.56	706999-6X	706065X	706069X	706058X	41100-1	41100-1
605003-7	Standard	4.10	706999-4X	706064X	706068X	706058X	41100-1	41100-1
605003-8	Standard	4.56	706999-6X	706065X	706069X	706058X	41100-1	41100-1
605003-9	Standard	3.73	706999-2X	706064X	706068X	706058X	41100-1	41100-1
605003-10	Standard	3.73	706999-2X	706064X	706068X	706058X	41100-1	41100-1
605003-11	Standard	4.10	706999-4X	706064X	706068X	706058X	41100-1	41100-1
605003-12	Standard	4.10	706999-6X	706065X	706069X	706058X	41100-1	41100-1
1980-81 P-300 Motor Home - 70HD								
605004-1	Standard	4.56	706999-6X	706065X	706069X	706058X	36625-1	36625-1
605004-2	Standard	4.88	706999-8X	706065X	706069X	706058X	36625-1	36625-1
605004-3	Standard	4.56	706999-6X	706065X	706069X	706058X	36625-1	36625-1
605004-4	Standard	4.88	706999-8X	706065X	706069X	706058X	36625-1	36625-1
1980-81 P-300 UPS - 70HD								
605005-1	Standard	4.10	706999-4X	706064X	706068X	706058X	41100-1	41100-1
605005-2	Standard	3.73	706999-2X	706064X	706068X	706058X	41100-1	41100-1
605005-3	Standard	3.73	706999-2X	706064X	706068X	706058X	41100-1	41100-1
605005-4	Standard	4.10	706999-4X	706064X	706068X	706058X	41100-1	41100-1
605005-5	Standard	3.73	706999-2X	706064X	706068X	706058X	41100-1	41100-1
605005-6	Standard	3.73	706999-2X	706064X	706068X	706058X	41100-1	41100-1
1980-81 P-300 Motor Home - 70HD								
605068-1	Standard	4.56	706999-6X	706065X	706069X	706058X	36625-1	36625-1
605068-2	Standard	4.88	706999-8X	706065X	706069X	706058X	36625-1	36625-1
605068-3	Standard	4.56	706999-6X	706065X	706069X	706058X	36625-1	36625-1
605068-4	Standard	4.88	706999-8X	706065X	706069X	706058X	36625-1	36625-1

(7) See Ring Gear & Pinion Kits in XGI Catalog for ratio & tooth combinations.

(8) See Differential Case Assy Kits in XGI Catalog for spline data & ratios.

GM Model 70 /267 Rear Axles

Bill of Material Table

Axle			Axle Kits				Shaft & Joint Assy.	
Bill of Material	Diff. Type	Ratio	Ring Gear & Pinion Kit ⁽⁷⁾	Differential			Right Hand Shaft Assy.	Left Hand Shaft Assy.
				Case Assy. Kit ⁽⁸⁾	Case Kit	Inner Parts Kit		
1980-82 G-300 146" WB - 70B								
605002-1	Standard	4.10	706999-4X	706051X	706055X	706058X	41100-1	41100-1
605002-2	Standard	4.56	706999-6X	706052X	706056X	706058X	41100-1	41100-1
605002-3	Standard	4.10	706999-4X	706051X	706055X	706058X	41100-1	41100-1
605002-4	Standard	4.56	706999-6X	706052X	706056X	706058X	41100-1	41100-1
605002-5	Standard	4.10	706999-4X	706051X	706055X	706058X	41100-1	41100-1
1981 1/2 P-300 UPS - 70HD								
605096-1	Standard	4.10	706999-4X	706064X	706068X	706058X	41100-1	41100-1
1982-84 C/K-30 - 70HD								
605099-1	Standard	3.73	706999-2X	706906X	706908X	706058X	41100-1	41100-1
605099-2	Standard	4.10	706999-4X	706906X	706908X	706058X	41100-1	41100-1
605099-3	Standard	4.56	706999-6X	706907X	706909X	706058X	41100-1	41100-1
1982 1/2-87 P-30 Motor Home/Disc Brakes - 70HD								
605117-1	Standard	4.56	706999-6X	706907X	706909X	706058X	36625-1	36625-1
605117-2	Standard	4.88	706999-8X	706907X	706909X	706058X	36625-1	36625-1
605117-3	Standard	5.86	706999-10X	706907X	706909X	706058X	36625-1	36625-1
605117-4	Standard	5.13	706999-9X	706907X	706909X	706058X	36625-1	36625-1
605117-5	Standard	4.56	706999-6X	706907X	706909X	706058X	36625-1	36625-1
605117-6	Standard	4.88	706999-8X	706907X	706909X	706058X	36625-1	36625-1
605117-7	Standard	5.13	706999-9X	706907X	706909X	706058X	36625-1	36625-1
1983 G-300 146" WB - 70B								
605134-1	Standard	4.56	706999-6X	706951X	706953X	706058X	41100-1	41100-1
605134-2	Standard	4.10	706999-4X	706950X	706952X	706058X	41100-1	41100-1
1984-86 C/K-30 & R/V-30 - 70HD								
605203-1	Standard	3.73	706999-2X	706906X	706908X	706058X	41100-1	41100-1
605203-2	Standard	4.10	706999-4X	706906X	706908X	706058X	41100-1	41100-1
605203-3	Standard	4.56	706999-6X	706907X	706909X	706058X	41100-1	41100-1
1984-89 DRW G-Van 146" WB - 70U								
605202-1	Standard	4.10	706998-3X	706950X	706952X	706058X	41100-1	41100-1
605202-2	Standard	4.56	706998-4X	706951X	706953X	706058X	41100-1	41100-1
1985-89 P-300 UPS - 70HD								
605043-1	Standard	4.10	706999-4X	706906X	706908X	706058X	41100-1	41100-1
605043-2	Standard	4.10	706999-4X	706906X	706908X	706058X	41100-1	41100-1
605043-3	Standard	4.56	706999-6X	706907X	706909X	706058X	41100-1	41100-1
1987 SRW C-30 - 70-3HD								
605305-1	Standard	3.21	707055-1X	706065X	706069X	706058X	41100-2	41100-3
605305-3	Standard	3.42	707055-2X	706065X	706069X	706058X	41100-2	41100-3
605305-5	Standard	3.73	706999-3X	707054X	707056X	706058X	41100-2	41100-3
605305-7	Standard	4.10	706999-4X	707054X	707056X	706058X	41100-2	41100-3
1987-91 1/2 R/V-30 - 70HD								
605331-1	Standard	3.73	706999-2X	706906X	706908X	706058X	41100-1	41100-1
605331-2	Standard	4.10	706999-4X	706906X	706908X	706058X	41100-1	41100-1
605331-3	Standard	4.56	706999-6X	706907X	706909X	706058X	41100-1	41100-1
1987 1/2-89 SRW C-30 - 70-3HD								
605345-3	Standard	3.42	707055-2X	706065X	706069X	706058X	41100-2	41100-3
605345-5	Standard	3.73	706999-3X	707054X	707056X	706058X	41100-2	41100-3
605345-7	Standard	4.10	706999-4X	707054X	707056X	706058X	41100-2	41100-3

(7) See Ring Gear & Pinion Kits in XGI Catalog for ratio & tooth combinations.

(8) See Differential Case Assy Kits in XGI Catalog for spline data & ratios.

GM Model 70 /267 Rear Axles

Bill of Material Table

Axle			Axle Kits				Shaft & Joint Assy.	
Bill of Material	Diff. Type	Ratio	Ring Gear & Pinion Kit ⁽⁷⁾	Differential			Right Hand Shaft Assy.	Left Hand Shaft Assy.
				Case Assy. Kit ⁽⁸⁾	Case Kit	Inner Parts Kit		
1987 1/2-89 SRW K-30 - 70-3HD								
605346-1	Standard	3.42	707055-2X	706065X	706069X	706058X	41100-2	41100-3
605346-3	Standard	3.73	706999-3X	707054X	707056X	706058X	41100-2	41100-3
605346-5	Standard	4.10	706999-4X	707054X	707056X	706058X	41100-2	41100-3
1988 P-30 Motor Home/Disc Brakes - 70HD								
605361-1	Standard	3.73	706999-2X	706906X	706908X	706058X	41100-1	41100-1
605361-2	Standard	4.10	706999-4X	706906X	706908X	706058X	41100-1	41100-1
605361-3	Standard	4.56	706999-6X	706907X	706909X	706058X	41100-1	41100-1
1988-89 DRW G-Van 30 - 70-3HD								
605310-5	Standard	3.73	706999-3X	707054X	707056X	706058X	41100-1	41100-1
605310-7	Standard	4.10	706999-4X	707054X	707056X	706058X	41100-1	41100-1
1988-89 P-30 Motor Home/Disc Brakes - 70HD								
605363-5	Standard	4.56	706999-6X	706907X	706909X	706058X	36625-1	36625-1
605363-6	Standard	4.88	706999-8X	706907X	706909X	706058X	36625-1	36625-1
605363-7	Standard	5.13	706999-9X	706907X	706909X	706058X	36625-1	36625-1
605391-1	Standard	4.56	706999-6X	706907X	706909X	706058X	36625-1	36625-1
605391-2	Standard	4.88	706999-8X	706907X	706909X	706058X	36625-1	36625-1
1988-89 DRW C/K-30 - 70-3HD								
605397-5	Standard	3.73	706999-3X	707054X	707056X	706058X	41100-4	41100-5
605397-7	Standard	4.10	706999-4X	707054X	707056X	706058X	41100-4	41100-5
605397-9	Standard	4.56	707055-3X	707054X	707056X	706058X	41100-4	41100-5
1988-90 SRW G-Van 30 - 70-3HD								
605302-3	Standard	3.42	707055-2X	706065X	706069X	706058X	41100-6	41100-7
605302-4	Ltd Slip	3.42	707055-2X	Eaton L/S	Eaton L/S	Eaton L/S	41100-6	41100-7
605302-5	Standard	3.73	706999-3X	707054X	707056X	706058X	41100-6	41100-7
605302-6	Ltd Slip	3.73	706999-3X	Eaton L/S	Eaton L/S	Eaton L/S	41100-6	41100-7
605302-7	Standard	4.10	706999-4X	707054X	707056X	706058X	41100-6	41100-7
605302-8	Ltd Slip	4.10	706999-4X	Eaton L/S	Eaton L/S	Eaton L/S	41100-6	41100-7
1989 1/2 P-300 UPS - 70HD								
605415-1	Standard	4.56	706999-6X	707118X	706909X	707119X	41100-1	41100-1
1989 1/2 G-Van Extended - 70-3HD								
605418-3	Standard	3.42	707055-2X	706065X	706069X	706058X	41100-6	41100-7
605418-5	Standard	3.73	706999-3X	707054X	707056X	706058X	41100-6	41100-7
1989 1/2-90 P-30 Motor Home/Disc Brakes - 70HD								
605456-5	Standard	4.56	706999-6X	706907X	706909X	706058X	36625-1	36625-1
605456-6	Standard	4.88	706999-8X	706907X	706909X	706058X	36625-1	36625-1
605456-7	Standard	5.13	706999-9X	706907X	706909X	706058X	36625-1	36625-1
605457-1	Standard	4.56	706999-6X	706907X	706909X	706058X	36625-1	36625-1
605457-2	Standard	4.88	706999-8X	706907X	706909X	706058X	36625-1	36625-1
1990 DRW G-Van 146" WB - 70U								
605452-1	Standard	4.10	706998-3X	707139X	707140X	706058X	41100-1	41100-1
605452-2	Standard	4.56	706998-4X	707176X	707177X	706058X	41100-1	41100-1
1990 DRW G-Van 30 - 70-3HD								
605453-5	Standard	3.73	706999-3X	707054X	707056X	706058X	41100-1	41100-1
605453-7	Standard	4.10	706999-4X	707054X	707056X	706058X	41100-1	41100-1
1990 P-300 UPS - 70HD								
605470-1	Standard	4.56	706999-6X	707118X	706909X	707119X	41100-1	41100-1

(7) See Ring Gear & Pinion Kits in XGI Catalog for ratio & tooth combinations.

(8) See Differential Case Assy Kits in XGI Catalog for spline data & ratios.

GM Model 70 /267 Rear Axles

Bill of Material Table

Axle			Axle Kits				Shaft & Joint Assy.	
Bill of Material	Diff. Type	Ratio	Ring Gear & Pinion Kit ⁽⁷⁾	Differential			Right Hand Shaft Assy.	Left Hand Shaft Assy.
				Case Assy. Kit ⁽⁸⁾	Case Kit	Inner Parts Kit		
1990-91 1/2 SRW G-Van 30 - 70-3HD								
605449-3	Standard	3.42	707055-2X	706065X	706069X	706058X	41100-6	41100-7
605449-5	Standard	3.73	706999-3X	707054X	707056X	706058X	41100-6	41100-7
605449-7	Standard	4.10	706999-4X	707054X	707056X	706058X	41100-6	41100-7
1990-91 1/2 G-Van Extended - 70-3HD								
605454-3	Standard	3.42	707055-2X	706065X	706069X	706058X	41100-6	41100-7
605454-5	Standard	3.73	706999-3X	707054X	707056X	706058X	41100-6	41100-7
1990 1/2-91 1/2 DRW G-Van 146" WB - 70U								
605497-1	Standard	4.10	706998-3X	707139X	707140X	706058X	41100-1	41100-1
605497-2	Standard	4.56	706998-4X	707176X	707177X	706058X	41100-1	41100-1
1990 1/2-91 1/2 DRW G-Van 30 - 70-3HD								
605498-5	Standard	3.73	706999-3X	707054X	707056X	706058X	41100-1	41100-1
605498-7	Standard	4.10	706999-4X	707054X	707056X	706058X	41100-1	41100-1
1990 1/2-92 1/2 P-300 UPS - 70HD								
605493-1	Standard	4.56	706999-6X	707118X	706909X	707119X	41100-1	41100-1
1991-93 1/2 70HD								
605494-1	No Spin	4.56	706999-6X	44042	-	-	41100-1	41100-1
1993-94 P-300 UPS - 70HD								
605559-1	Standard	4.56	706999-6X	707118X	706909X	707119X	41100-1	41100-1

(7) See Ring Gear & Pinion Kits in XGI Catalog for ratio & tooth combinations.

(8) See Differential Case Assy Kits in XGI Catalog for spline data & ratios.

GM Model 70 /267 Rear Axles Variable Parts Listing

Kits & Parts - Use With All Applications							
Description & Item Number (Refer to "Exploded View" at the front of this section)			Bills of Material				
			603703	603704	603929	603970 603987	605002
1	KIT – Inner Pinion Bearing	3	706060X	706060X	706060X	706060X	706060X
2	Baffle – Pinion Bearing	5	34849	34849	34849	34849	34849
3	PKG – Diff & Pinion Bearing Shim	-	706213X	706077X	706077X	706213X	706213X
4	End Yoke Assembly (inc 11)	10	3-4-5731-1X	3-4-5731-1X	3-4-5711-1X	3-4-5711-1X	3-4-5731X
5	KIT – Carrier Cover	-	707104X	706059X	706059X	706059X	707104X
6	Carrier Cover	14	42815-2	34055	34055	34055	42815-2
7	Plug – Carrier Cover	16	43180	36472	36472	36472	43180
8	KIT – Differential Bearing	20	706047X	706070X	706070X	706070X	706047X
9	PKG – Diff Bearing Shim (inc 17)	21	706378X	706373X	706373X	706378X	706378X
10	Bolt – Drive Gear (qty 12)	23	30266	30266	30266	30266	30266
11	Shaft – Differential (std)	28	35081	35081	35081	35081	35081
12	Spacer – Differential Bearing	29	—	—	34848-28	—	—
13	KIT – Inner Wheel Bearing	34	706179X	706179X	—	706179X	706179X
14	KIT – Outer Wheel Bearing	35	706074X	706074X	—	706074X	706074X
15	Thrustwasher – Wheel Bearing	37	33734	33734	36637	33734	—
16	Spindle Nut	38	33732	33732	36635	33732	39521
17	Lockwasher – Spindle Nut	39	33733	33733	36636	33733	—
18	Spindle Nut	40	33732	33732	36635	33732	—
19	Gasket	41	36554	36554	36633	36554	36554
20	Hub Cap	42	—	—	36632	—	—
21	Key – Square	43	—	—	—	—	39522
22	Snap Ring	44	—	—	—	—	39523
			605003	605004	605005	605043	605068
1	KIT – Inner Pinion Bearing	3	706060X	706060X	706060X	706060X	706060X
2	Baffle – Pinion Bearing	5	34849	34849	34849	34849	34849
3	PKG – Diff & Pinion Bearing Shim	-	706077X	706077X	706077X	706213X	706077X
4	End Yoke Assembly (inc 11)	10	3-4-5731-1X	3-4-5711-1X	3-4-5731-1X	3-4-5711-1X	3-4-5711-1X
5	KIT – Carrier Cover	-	706059X	706059X	706059X	706966X	706059X
6	Carrier Cover	14	34055	34055	34055	30809	34055
7	Plug – Carrier Cover	16	36472	36472	36472	36472	36472
8	KIT – Differential Bearing	20	706070X	706070X	706070X	706070X	706070X
9	PKG – Diff Bearing Shim (inc 17)	21	706373X	706373X	706373X	706378X	706373X
10	Bolt – Drive Gear (qty 12)	23	30266	30266	30266	40638	30266
11	Shaft – Differential (std)	28	35081	35081	35081	35081	35081
12	Spacer – Differential Bearing	29	—	34848-28	—	—	34848-28
13	KIT – Inner Wheel Bearing	34	706179X	—	706179X	706179X	—
14	KIT – Outer Wheel Bearing	35	706074X	—	706074X	706074X	—
15	Thrustwasher – Wheel Bearing	37	—	36637	—	—	36637
16	Spindle Nut	38	39521	36635	39521	39521	36635
17	Lockwasher – Spindle Nut	39	—	36636	—	—	36636
18	Spindle Nut	40	—	36635	—	—	36635
19	Gasket	41	36554	36633	36554	36554	—
20	Hub Cap	42	—	36632	—	—	36632
21	Key – Square	43	39522	—	39522	39522	—
22	Snap Ring	44	39523	—	39523	39523	—

GM Model 70 /267 Rear Axles Variable Parts Listing

Kits & Parts - Use With All Applications							
Description & Item Number (Refer to "Exploded View" at the front of this section)			Bills of Material				
			605096	605099	605117	605134	605202
1	KIT – Inner Pinion Bearing	3	706060X	706060X	706060X	706060X	706861X
2	Baffle – Pinion Bearing	5	34849	34849	34849	34849	41550
3	PKG – Diff & Pinion Bearing Shim	-	706077X	706213X	706213X	706213X	706213X
4	End Yoke Assembly (inc 11)	10	3-4-5731-1X	3-4-5731-1X	3-4-5711X	3-4-5731-1X	3-4-5731-1X
5	KIT – Carrier Cover	-	706059X	706966X	707102X	707104X	707104X
6	Carrier Cover	14	34055	30809	42815-1	42815-2	42815-2
7	Plug – Carrier Cover	16	36472	36472	43180	43180	43180
8	KIT – Differential Bearing	20	706070X	706070X	706070X	706047X	706047X
9	PKG – Diff Bearing Shim (inc 17)	21	706373X	706378X	706378X	706378X	706378X
10	Bolt – Drive Gear (qty 12)	23	30266	40638	40638	40638	40638
11	Shaft – Differential (std)	28	35081	46640	35081	35081	35081
12	Spacer – Differential Bearing	29	—	—	—	—	—
13	KIT – Inner Wheel Bearing	34	706179X	706179X	—	706179X	706179X
14	KIT – Outer Wheel Bearing	35	706074X	706074X	—	706074X	706074X
15	Thrustwasher – Wheel Bearing	37	—	—	36637	—	—
16	Spindle Nut	38	39521	39521	36635	39521	39521
17	Lockwasher – Spindle Nut	39	—	—	36636	—	—
18	Spindle Nut	40	—	—	36635	—	—
19	Gasket	41	36554	36554	—	36554	36554
20	Hub Cap	42	—	—	36632	—	—
21	Key – Square	43	39522	39522	—	39522	39522
22	Snap Ring	44	39523	39523	—	39523	39523
			605203	605302	605305	605310	605331
1	KIT – Inner Pinion Bearing	3	706060X	706060X	706060X	706060X	706060X
2	Baffle – Pinion Bearing	5	34849	34849	34849	34849	34849
3	PKG – Diff & Pinion Bearing Shim	-	706077X	706213X	706213X	706213X	706213X
4	End Yoke Assembly (inc 11)	10	3-4-5731-1X	3-4-5731-1X	3-4-5731-1X	3-4-5731-1X	3-4-5731-1X
5	KIT – Carrier Cover	-	706966X	707104X	707104X	707104X	706966X
6	Carrier Cover	14	30809	42815-2	42815-2	42815-2	30809
7	Plug – Carrier Cover	16	36472	43180	43180	43180	36472
8	KIT – Differential Bearing	20	706070X	706070X	706070X	706070X	706070X
9	PKG – Diff Bearing Shim (inc 17)	21	706373X	706378X	706378X	706378X	706378X
10	Bolt – Drive Gear (qty 12)	23	40638	30266	30266	30266	40638
11	Shaft – Differential (std)	28	35081	35081	46640	35081	35081
12	Spacer – Differential Bearing	29	—	34848-28	—	34848-28	—
13	KIT – Inner Wheel Bearing	34	706179X	706179X	706179X	706179X	706179X
14	KIT – Outer Wheel Bearing	35	706074X	706074X	706074X	706074X	706074X
15	Thrustwasher – Wheel Bearing	37	—	—	—	—	—
16	Spindle Nut	38	39521	39521	39521	39521	39521
17	Lockwasher – Spindle Nut	39	—	—	—	—	—
18	Spindle Nut	40	—	—	—	—	—
19	Gasket	41	36554	36554	36554	36554	36554
20	Hub Cap	42	—	—	—	—	—
21	Key – Square	43	39522	39522	39522	39522	39522
22	Snap Ring	44	39523	39523	39523	39523	39523

(See next page for additional bills of material)

GM Model 70 /267 Rear Axles Variable Parts Listing

Kits & Parts - Use With All Applications							
Description & Item Number (Refer to "Exploded View" at the front of this section)			Bills of Material				
			605345 605346	605361	605363 605391	605397	605415
1	KIT – Inner Pinion Bearing	3	706060X	706060X	706060X	706060X	706060X
2	Baffle – Pinion Bearing	5	34849	34849	34849	34849	34849
3	PKG – Diff & Pinion Bearing Shim	-	706213X	706213X	706213X	706213X	706077X
4	End Yoke Assembly (inc 11)	10	3-4-5731-1X	3-4-5731-1X	3-4-5711-1X	3-4-5731-1X	3-4-5711-1X
5	KIT – Carrier Cover	-	707104X	707102X	707102X	707104X	707102X
6	Carrier Cover	14	42815-2	42815-1	42815-1	42815-2	42815-1
7	Plug – Carrier Cover	16	43180	43180	43180	43180	43180
8	KIT – Differential Bearing	20	706070X	706070X	706070X	706070X	706070X
9	PKG – Diff Bearing Shim (inc 17)	21	706378X	706378X	706378X	706378X	706373X
10	Bolt – Drive Gear (qty 12)	23	30266	40638	40638	30266	40638
11	Shaft – Differential (std)	28	35081	35081	35081	35081	43404
12	Spacer – Differential Bearing	29	34848-28	—	—	34848-28	—
13	KIT – Inner Wheel Bearing	34	706179X	706179X	—	706179X	706179X
14	KIT – Outer Wheel Bearing	35	706074X	706074X	—	706074X	706074X
15	Thrustwasher – Wheel Bearing	37	—	—	36637	—	—
16	Spindle Nut	38	39521	39521	36635	39521	39521
17	Lockwasher – Spindle Nut	39	—	—	36636	—	—
18	Spindle Nut	40	—	—	36635	—	—
19	Gasket	41	36554	36554	—	36554	36554
20	Hub Cap	42	—	—	36632	—	—
21	Key – Square	43	39522	39522	—	39522	39522
22	Snap Ring	44	39523	39523	—	39523	39523
			605418 605449	605452	605453 605454	605456 506457	605470
1	KIT – Inner Pinion Bearing	3	706060X	706060X	706060X	706060X	706060X
2	Baffle – Pinion Bearing	5	34849	41550	34849	34849	34849
3	PKG – Diff & Pinion Bearing Shim	-	706213X	706213X	706213X	706213X	706213X
4	End Yoke Assembly (inc 11)	10	3-4-5731-1X	3-4-5731-1X	3-4-5731-1X	3-4-5711-1X	3-4-5711-1X
5	KIT – Carrier Cover	-	707104X	707104X	707104X	707102X	707102X
6	Carrier Cover	14	42815-2	42815-2	42815-2	42815-1	42815-1
7	Plug – Carrier Cover	16	43180	43180	43180	43180	43180
8	KIT – Differential Bearing	20	706070X	706047X	706070X	706070X	706070X
9	PKG – Diff Bearing Shim (inc 17)	21	706378X	706378X	706378X	706378X	706378X
10	Bolt – Drive Gear (qty 12)	23	30266	40638	30266	40638	40638
11	Shaft – Differential (std)	28	35081	35081	35081	35081	43404
12	Spacer – Differential Bearing	29	34848-28	42563	34848-28	—	—
13	KIT – Inner Wheel Bearing	34	706179X	706179X	706179X	—	706179X
14	KIT – Outer Wheel Bearing	35	706074X	706074X	706074X	—	706074X
15	Thrustwasher – Wheel Bearing	37	—	—	—	36637	—
16	Spindle Nut	38	39521	39521	39521	36635	39521
17	Lockwasher – Spindle Nut	39	—	—	—	36636	—
18	Spindle Nut	40	—	—	—	36635	—
19	Gasket	41	36554	36554	36554	—	36554
20	Hub Cap	42	—	—	—	36632	—
21	Key – Square	43	39522	39522	36522	—	39522
22	Snap Ring	44	39523	39523	39523	—	39523

GM Model 70 /267 Rear Axles Variable Parts Listing

Kits & Parts - Use With All Applications							
Description & Item Number (Refer to "Exploded View" at the front of this section)			Bills of Material				
			605559	605493	605494	605497	605498
1	KIT – Inner Pinion Bearing	3	706060X	706060X	706060X	706861X	706060X
2	Baffle – Pinion Bearing	5	34849	34849	34849	34849	41550
3	PKG – Diff & Pinion Bearing Shim	-	706213X	706213X	706213X	706213X	706213X
4	End Yoke Assembly (inc 11)	10	3-4-5711-1X	3-4-5711-1X	3-4-5731-1X	3-4-5731-1X	3-4-5731-1X
5	KIT – Carrier Cover	-	707102X	707102X	706966X	707104X	707104X
6	Carrier Cover	14	42815-1	42815-1	30809	42815-2	42815-2
7	Plug – Carrier Cover	16	43180	43180	36472	43180	43180
8	KIT – Differential Bearing	20	706070X	706070X	706070X	706047X	706070X
9	PKG – Diff Bearing Shim (inc 17)	21	706378X	706378X	706378X	706378X	706378X
10	Bolt – Drive Gear (qty 12)	23	40638	40638	40638	40638	30266
11	Shaft – Differential (std)	28	43404	43404	—	35081	35081
12	Spacer – Differential Bearing	29	—	—	—	42563	34848-28
13	KIT – Inner Wheel Bearing	34	—	706179X	706179X	706179X	706179X
14	KIT – Outer Wheel Bearing	35	—	706074X	706074X	706074X	706074X
15	Thrustwasher – Wheel Bearing	37	—	—	—	—	—
16	Spindle Nut	38	39521	39521	39521	39521	39521
17	Lockwasher – Spindle Nut	39	—	—	—	—	—
18	Spindle Nut	40	—	—	—	—	—
19	Gasket	41	36554	36554	36554	36554	36554
20	Hub Cap	42	—	—	—	—	—
21	Key – Square	43	39522	39522	39522	39522	39522
22	Snap Ring	44	39523	39523	39523	39523	39523

GM /Chevrolet 1992-1998 1/2

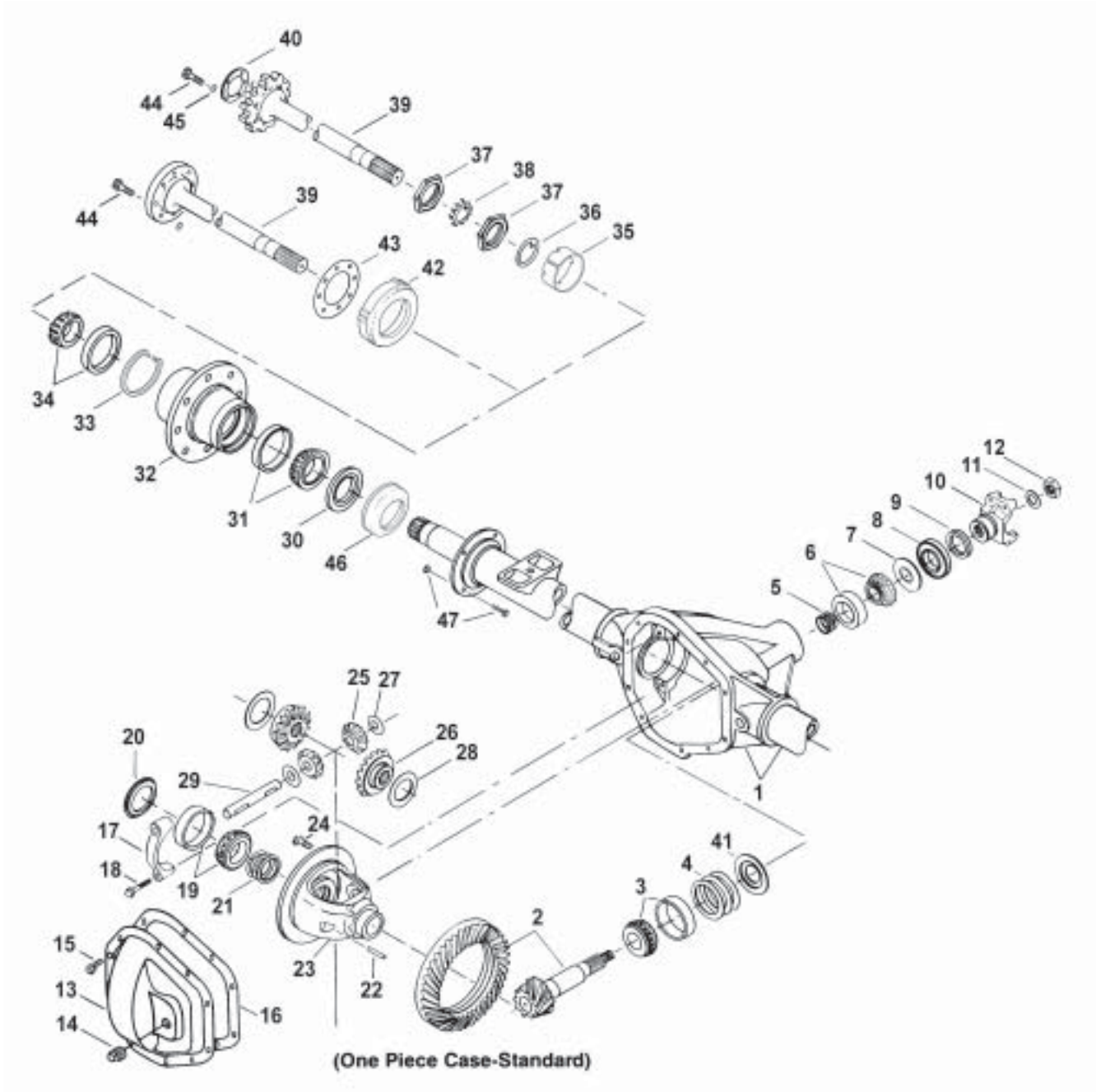
Model 80 /286 Rear Axles for

GMT 455

P-Truck

Motor Home

GM Model 80 /286 Rear Axles Exploded View



GM Model 80 /286 Rear Axles

Parts Listing

ITEM NO.	PART NUMBER	DESCRIPTION	ITEM NO.	PART NUMBER	DESCRIPTION
1	— ⁽³⁾	Housing – Axle Service	22	47024	Lock – Differential Shaft
2	— ⁽¹⁾	Drive Pinion & Gear Assembly	23	— ⁽⁴⁾	Case – Differential (std)
3	707065X	KIT – Inner Pinion Bearing	24	42433	Bolt – Drive Gear (qty 12)
	707066X	PKG – Pinion Bearing Shim (inc items 4, 5, 11, 12)	25	— ⁽²⁾	Pinion – Differential (std)
	— ⁽²⁾	PKG – Diff & Pinion Bearing Shim (inc items 4, 5, 11, 12, 21)	26	— ⁽²⁾	Gear – Differential (std)
			27	35082	Thrustwasher – Diff Pinion (std)
			28	34729	Thrustwasher – Diff Gear (std)
4	— ⁽⁴⁾	Inner Pinion Bearing Shims (see shim packages)	29	46640	Shaft – Differential (std)
			30	40285	Oil Seal (Inner Wheel)
5	— ⁽⁴⁾	Outer Pinion Bearing Shims (see shim packages)	31	— ⁽²⁾	Inner Wheel Bearing Cone
				— ⁽²⁾	Inner Wheel Bearing Cup
6	707064X	KIT – Outer Pinion Bearing	32	— ⁽³⁾	Hub & Rotor Assembly
7	42430	Thrustwasher – Bearing	33	40328	Ring – Retaining
8	46411	Seal – Pinion Oil	34	— ⁽²⁾	Outer Wheel Bearing Cone
9	231872	Slinger – End Yoke		— ⁽²⁾	Outer Wheel Bearing Cup
10	3-4-11081-1X	End Yoke Assembly (inc 9) Bearing strap kit used w/end yoke	35	40329	Retainer – Outer Wheel Bearing
			36	36637	Retainer – Bearing Adj Ring
11	37104	Washer – Pinion Nut	37	36635	Spindle Nut
12	37082	Pinion Nut	38	36636	Lockwasher – Spindle Nut
	707070X	KIT – Carrier Cover (inc items 13, 14, 15)	39	— ⁽¹⁾	Axle Shaft
			40	— ⁽³⁾	Hub Cap (apply silicone sealant between hub cap & axle shaft)
13	42434	Carrier Cover		— ⁽²⁾	Baffle – Pinion Bearing
14	36472	Plug – Carrier Cover	41	— ⁽²⁾	Retainer – Outer Wheel Bearing
15	34822	Bolt – Carrier Cover (qty 10)	42	46471	Gasket
16	38615	RTV Silicone Sealant	43	47045	Bolt – Axle Shaft
17	— ⁽³⁾	Differential Bearing Cap	44	— ⁽²⁾	Lockwasher – Axle Shaft
18	48632-1	Bolt – Differential Bearing Cap	45	— ⁽²⁾	Grease Deflector
19	706070X	KIT – Differential Bearing	46	46247	Nut & Bolt – Brake Mounting
20	— ⁽²⁾	KIT – Differential Outboard Spacer	47	— ⁽³⁾	
21	— ⁽²⁾	PKG – Differential Bearing Shim			

- (1) See "Bill of Material Table" on next page
(2) See "Variable Parts Table" within this section
(3) Contact Vehicle Manufacturer
(4) Not Sold Separately

GM Model 80 /286 Rear Axles

Bill of Material Table

Axle			Axle Kits				Shaft & Joint Assy.	
Bill of Material	Diff. Type	Ratio	Ring Gear & Pinion Kit ⁽⁷⁾	Differential			Right Hand Shaft Assy.	Left Hand Shaft Assy.
				Case Assy. Kit ⁽⁸⁾	Case Kit	Inner Parts Kit		
1992 Motor Home/Disc Brakes								
605499-1	Standard	4.63	707060-1X	707061X	707062X	707063X	36625-1	36625-1
1992 1/2-93 1/2 GMT 455								
605524-1	Standard	4.63	707060-1X	707184X	707062X	707185X	44264-1	44264-1
605524-2	Standard	5.13	707060-4X	707184X	707062X	707185X	44264-1	44264-1
1992 1/2-93 1/2 P-Truck								
605526-1	Standard	5.13	707060-4X	707184X	707062X	707185X	44264-1	44264-1
605527-1	Standard	5.13	707060-4X	707184X	707062X	707185X	44264-1	44264-1
1993-93 1/2 GMT 455								
605575-1	Standard	4.63	707361-3X	707362X	707363X	707280X	44264-1	44264-1
605575-2	Standard	5.13	707361-4X	707362X	707363X	707280X	44264-1	44264-1
1993-95 1/2 P-Truck								
605644-1	Standard	5.13	707060-4X	707184X	707062X	707185X	44264-1	44264-1
605644-2	Standard	4.63	707060-1X	707184X	707062X	707185X	44264-1	44264-1
1993-96 1/2 Motor Home/Disc Brakes								
605601-1	Standard	4.63	707060-1X	707061X	707062X	707063X	36625-1	36625-1
605601-2	Standard	5.13	707060-4X	707061X	707062X	707063X	36625-1	36625-1
1993 1/2-95 1/2 P-Truck								
605643-1	Standard	5.13	707060-4X	707184X	707062X	707185X	44264-1	44264-1
1994 1/2-95 1/2 P-Truck								
605638-1	Standard	4.63	707060-1X	707061X	707062X	707063X	36625-1	36625-1
605712-1	Standard	4.63	707060-1X	707184X	707062X	707185X	44264-2	44264-2
605745-1	Standard	5.13	707060-4X	707184X	707062X	707185X	44264-2	44264-2
1994 1/2-95 1/2 GMT 455								
605695-1	Standard	4.63	707361-3X	707362X	707363X	707280X	44264-2	44264-2
605695-3	Standard	5.13	707361-4X	707362X	707363X	707280X	44264-2	44264-2
1995-95 1/2 GMT 455								
605649-1	Standard	4.63	707361-3X	707362X	707363X	707280X	44264-1	44264-1
605649-2	Standard	5.13	707361-4X	707362X	707363X	707280X	44264-1	44264-1
605691-1	Standard	4.63	707361-3X	707362X	707363X	707280X	44264-1	44264-1
605691-2	Standard	5.13	707361-4X	707362X	707363X	707280X	44264-1	44264-1
1995-95 1/2 Motor Home/Disc Brakes								
605719-1	Standard	4.63	707361-3X	707362X	707363X	707280X	44264-1	44264-1
1995-95 1/2 P-Truck								
605767-1	Standard	5.13	707060-4X	707184X	707062X	707185X	44264-2	44264-2
605783-1	Standard	4.63	707361-3X	707362X	707363X	707280X	44264-2	44264-2
1995 1/2-95 1/2 GMT 455								
605753-1	Standard	4.63	707361-3X	707362X	707363X	707280X	44264-1	44264-1
605753-2	Standard	5.13	707361-4X	707362X	707363X	707280X	44264-1	44264-1
1996-96 1/2 P-Truck								
605810-1	Standard	5.13	707060-4X	707184X	707062X	707185X	44264-1	44264-1
605811-1	Standard	5.13	707060-4X	707184X	707062X	707185X	44264-1	44264-1
605811-2	Standard	4.63	707060-1X	707184X	707062X	707185X	44264-1	44264-1
605817-1	Standard	4.63	707361-3X	707362X	707363X	707280X	44264-2	44264-2

(7) See Ring Gear & Pinion Kits in XGI Catalog for ratio & tooth combinations.

(8) See Differential Case Assy Kits in XGI Catalog for spline data & ratios.

GM Model 80 /286 Rear Axles

Bill of Material Table

Axle			Axle Kits				Shaft & Joint Assy.	
Bill of Material	Diff. Type	Ratio	Ring Gear & Pinion Kit ⁽⁷⁾	Differential			Right Hand Shaft Assy.	Left Hand Shaft Assy.
				Case Assy. Kit ⁽⁸⁾	Case Kit	Inner Parts Kit		
1996-97 P-Truck								
605818-1	Standard	5.13	707060-4X	707184X	707062X	707185X	44264-2	44264-2
1996-98 P-Truck								
605812-1	Standard	5.13	707060-4X	707184X	707062X	707185X	44264-2	44264-2
605814-1	Standard	4.63	707060-1X	707184X	707062X	707185X	44264-2	44264-2
605815-1	Standard	4.63	707060-1X	707061X	707062X	707063X	36625-1	36625-1
605816-1	Standard	4.63	707060-1X	707061X	707062X	707063X	36625-1	36625-1
1996-98 GMT 455								
605868-1	Standard	4.63	707361-3X	707362X	707363X	707280X	44264-1	44264-1
605868-2	Standard	5.13	707361-4X	707362X	707363X	707280X	44264-1	44264-1
605869-1	Standard	4.63	707361-3X	707362X	707363X	707280X	44264-2	44264-2
605869-2	Standard	5.13	707361-4X	707362X	707363X	707280X	44264-2	44264-2
1996-99 GMT 455								
605867-1	Standard	4.63	707361-3X	707362X	707363X	707280X	44264-1	44264-1
605867-2	Standard	5.13	707361-4X	707362X	707363X	707280X	44264-1	44264-1
1996 1/2 P-Truck								
605813-1	Standard	4.63	707361-3X	707362X	707363X	707280X	44264-1	44264-1
1996 1/2 GMT 455								
605858-1	Standard	4.63	707361-3X	707362X	707363X	707280X	44264-1	44264-1
605858-2	Standard	5.13	707361-4X	707362X	707363X	707280X	44264-1	44264-1
1996 1/2-97 P-Truck								
605838-1	Standard	5.13	707060-4X	707184X	707062X	707185X	47037-1	47037-1
605839-1	Standard	5.13	707060-4X	707184X	707062X	707185X	47037-1	47037-1
605840-1	Standard	4.63	707361-3X	707362X	707363X	707280X	47037-1	47037-1
605896-1	Standard	4.63	707361-3X	707362X	707363X	707280X	47037-2	47037-2
1997-2000 P-Truck								
606040-1	Standard	5.13	707361-4X	707362X	707363X	707280X	47037-1	47037-1
606041-1	Standard	5.13	707361-4X	707362X	707363X	707280X	47037-1	47037-1
606042-1	Standard	4.63	707361-3X	707362X	707363X	707280X	47037-1	47037-1
606043-1	Standard	4.63	707361-3X	707362X	707363X	707280X	47037-2	47037-2
1998 1/2-99 GMT 455								
606073-1	Standard	4.63	707361-3X	707362X	707363X	707280X	44264-1	44264-1
606073-2	Standard	5.13	707361-4X	707362X	707363X	707280X	44264-1	44264-1
606074-1	Standard	4.63	707361-3X	707362X	707363X	707280X	44264-2	44264-2
606074-2	Standard	5.13	707361-4X	707362X	707363X	707280X	44264-2	44264-2
606123-1	Standard	4.63	707361-3X	707362X	707363X	707280X	44264-2	44264-2
606123-2	Standard	5.13	707361-4X	707362X	707363X	707280X	44264-2	44264-2

(7) See Ring Gear & Pinion Kits in XGI Catalog for ratio & tooth combinations.

(8) See Differential Case Assy Kits in XGI Catalog for spline data & ratios.

GM Model 80 /286 Rear Axles Variable Parts Listing

Kits & Parts - Use With All Applications							
Description & Item Number (Refer to "Exploded View" at the front of this section)			Bills of Material				
			605499	605524 605526 605527	605575	605601	605638
1	PKG – Diff & Pinion Bearing Shim	-	708036	708036	707365X	708036	707365X
2	KIT – Differential Outboard Spacer	20	707069X	707069X	701133X	707069X	701133X
3	PKG – Differential Bearing Shim	21	708035	708035	707364X	708035	707364X
4	Pinion – Differential (std)	25	42413	42413	44845	42413	42413
5	Gear – Differential (std)	26	42411	43652	44844	42411	42411
6	Inner Wheel Bearing Cone	31	565996	565996	565996	565996	565996
7	Inner Wheel Bearing Cup	-	565995	565995	565995	565995	565995
8	Outer Wheel Bearing Cone	34	550362	550362	550362	550362	550362
9	Outer Wheel Bearing Cup	-	565994	565994	565994	565994	565994
10	Baffle – Pinion Bearing	41	—	44192	44192	—	—
11	Bolt – Axle Shaft	44	36634	36634	36634	36634	36634
12	Lockwasher – Axle Shaft	45	500357-10	500357-10	500357-10	500357-10	500357-10
			605643 605644	605649 605691 605695	605712	605719	605745
1	PKG – Diff & Pinion Bearing Shim	-	708036	707365X	708036	707365X	708036
2	KIT – Differential Outboard Spacer	20	707069X	701133X	707069X	701133X	707069X
3	PKG – Differential Bearing Shim	21	708035	707364X	708035	707364X	708035
4	Pinion – Differential (std)	25	42413	44845	42413	44845	42413
5	Gear – Differential (std)	26	43652	44844	43652	44844	43652
6	Inner Wheel Bearing Cone	31	565996	565996	565996	565996	565996
7	Inner Wheel Bearing Cup	-	565995	565995	565995	565995	565995
8	Outer Wheel Bearing Cone	34	550362	550362	550362	550362	550362
9	Outer Wheel Bearing Cup	-	565994	565994	565994	565994	565994
10	Baffle – Pinion Bearing	41	44192	44192	—	44192	—
11	Bolt – Axle Shaft	44	36634	36634	36634	36634	36634
12	Lockwasher – Axle Shaft	45	500357-10	500357-10	500357-10	500357-10	500357-10
			605753	605767	605783	605810 605811	605812
1	PKG – Diff & Pinion Bearing Shim	-	707365X	708036	707365X	708036	708036
2	KIT – Differential Outboard Spacer	20	701133X	707069X	701133X	707069X	707069X
3	PKG – Differential Bearing Shim	21	707364X	708035	707364X	708035	708035
4	Pinion – Differential (std)	25	44845	42413	44845	42413	42413
5	Gear – Differential (std)	26	44844	43652	44844	43652	43652
6	Inner Wheel Bearing Cone	31	565996	565996	565996	565996	565996
7	Inner Wheel Bearing Cup	-	565995	565995	565995	565995	565995
8	Outer Wheel Bearing Cone	34	550362	550362	550362	550362	550362
9	Outer Wheel Bearing Cup	-	565994	565994	565994	565994	565994
10	Baffle – Pinion Bearing	41	44192	—	44192	44192	—
11	Bolt – Axle Shaft	44	36634	36634	36634	36634	36634
12	Lockwasher – Axle Shaft	45	500357-10	500357-10	500357-10	500357-10	500357-10

GM Model 80 /286 Rear Axles Variable Parts Listing



Kits & Parts - Use With All Applications							
Description & Item Number (Refer to "Exploded View" at the front of this section)			Bills of Material				
			605813	605814	605815	605816	605817
1	PKG – Diff & Pinion Bearing Shim	-	707365X	708036	708036	707365X	707365X
2	KIT – Differential Outboard Spacer	20	701133X	707069X	707069X	701133X	701133X
3	PKG – Differential Bearing Shim	21	707364X	708035	708035	707364X	707364X
4	Pinion – Differential (std)	25	44845	42413	42413	42413	44845
5	Gear – Differential (std)	26	44844	43652	42411	42411	44844
6	Inner Wheel Bearing Cone	31	565996	565996	565996	565996	565996
7	Inner Wheel Bearing Cup	-	565995	565995	565995	565995	565995
8	Outer Wheel Bearing Cone	34	550362	550362	550362	550362	550362
9	Outer Wheel Bearing Cup	-	565994	565994	565994	565994	565994
10	Baffle – Pinion Bearing	41	44192	—	—	—	44192
11	Bolt – Axle Shaft	44	36634	36634	36634	36634	36634
12	Lockwasher – Axle Shaft	45	500357-10	500357-10	500357-10	500357-10	500357-10
			605818	605838 605839	605840	605858 605867 605868 605869	605896 606040 606041 606042 606043
1	PKG – Diff & Pinion Bearing Shim	-	708036	708036	707365X	707365X	707365X
2	KIT – Differential Outboard Spacer	20	707069X	707069X	701133X	701133X	701133X
3	PKG – Differential Bearing Shim	21	708035	708035	707364X	707364X	707364X
4	Pinion – Differential (std)	25	42413	42413	44845	44845	44845
5	Gear – Differential (std)	26	43652	43652	44844	44844	44844
6	Inner Wheel Bearing Cone	31	565996	565962	565962	565996	565962
7	Inner Wheel Bearing Cup	-	565995	550234	550234	565995	550234
8	Outer Wheel Bearing Cone	34	550362	566057	566057	550362	566057
9	Outer Wheel Bearing Cup	-	565994	565939	565939	565994	565939
10	Baffle – Pinion Bearing	41	—	44192	44192	44192	44192
11	Bolt – Axle Shaft	44	36634	45720	45720	36634	45720
12	Lockwasher – Axle Shaft	45	500357-10	—	—	500357-10	—
			606073 606074 606123				
1	PKG – Diff & Pinion Bearing Shim	-	707365X				
2	KIT – Differential Outboard Spacer	20	701133X				
3	PKG – Differential Bearing Shim	21	707364X				
4	Pinion – Differential (std)	25	44845				
5	Gear – Differential (std)	26	44844				
6	Inner Wheel Bearing Cone	31	565996				
7	Inner Wheel Bearing Cup	-	565995				
8	Outer Wheel Bearing Cone	34	550362				
9	Outer Wheel Bearing Cup	-	565994				
10	Baffle – Pinion Bearing	41	44192				
11	Bolt – Axle Shaft	44	36634				
12	Lockwasher – Axle Shaft	45	500357-10				

